

# Cal.PE28D

Ø 23.70 mm

H 2.94 mm

Item	Version No
Specification	Version 1
Appearance	Version 1
Casing	Version 1
Hand Fitting	Version 1
Hands	Version 1
Dial - 1	Version 1

# Movement Specification

## PE28D 10<sub>1/2</sub><sup>'''</sup> Quartz Movement 3 Hands (Date)

### 1.MOVEMENT DIMENSIONS

- Outside diameter  $\varnothing 23.70\text{mm}$
- Total height 2.94mm

### 2.TIME STANDARD

- Frequency of quartz oscillator 32768Hz
- Accuracy Monthly rate: Less than  $\pm 45$  seconds per month at normal temperature range

### 3.BATTERY

- Type Silver oxide battery
- Size  $\varnothing 6.8 \times t 2.1(\text{mm})$
- Recommended battery SR621SW

4.OPERATING TEMPERATURE RANGE From  $-5^{\circ}\text{C} \sim 50^{\circ}\text{C}$

5. OPERATING VOLTAGE 1.25V~1.65V

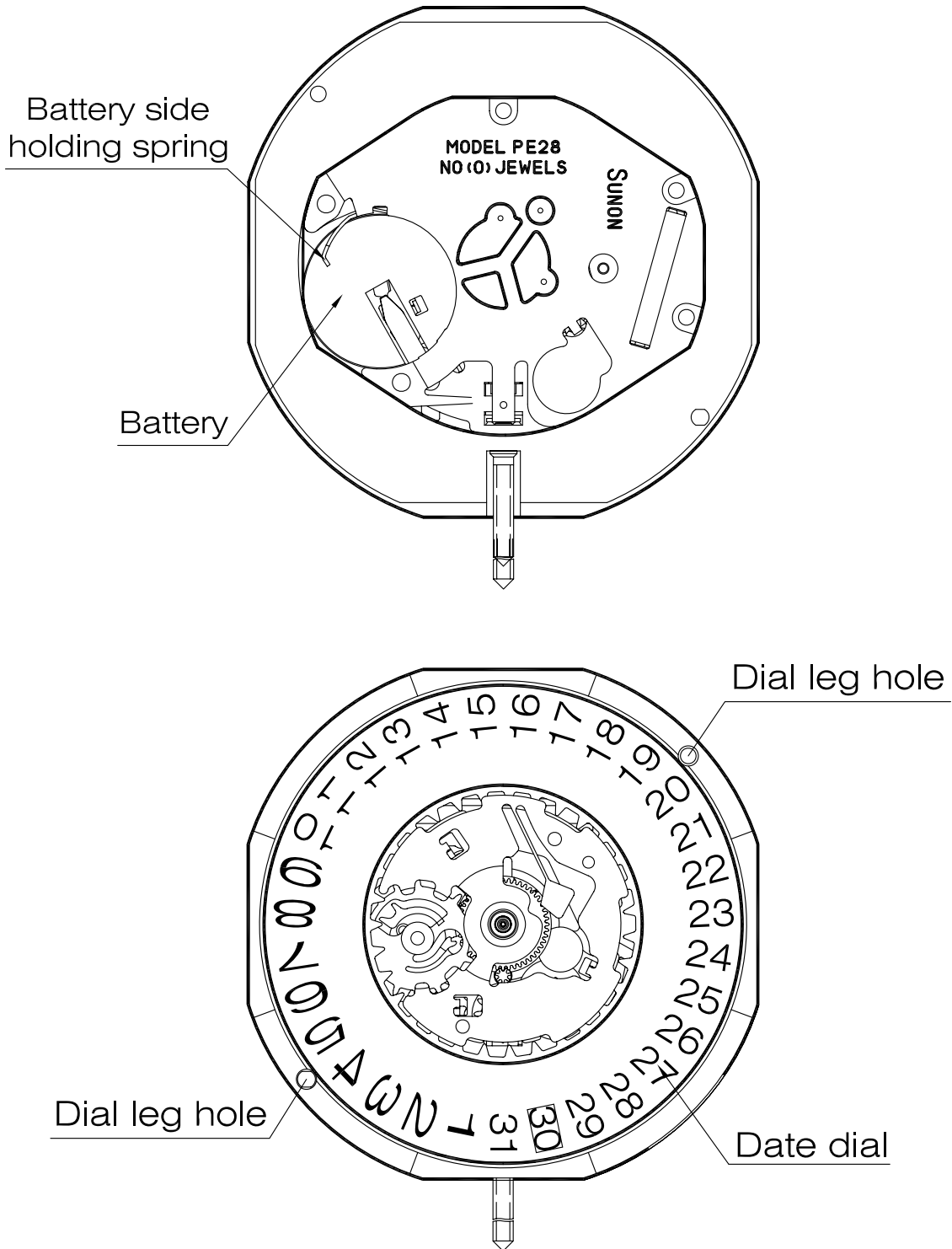
6.AVERAGE OPERATING CURRENT 2.0 $\mu\text{A}$

7.OUTPUT TORQUE OF SECOND HAND  $\geq 5.0\mu\text{Nm}$

8.The diameter of the dial leg  $\varnothing 0.70(\text{mm})$

Appearance

PE28D

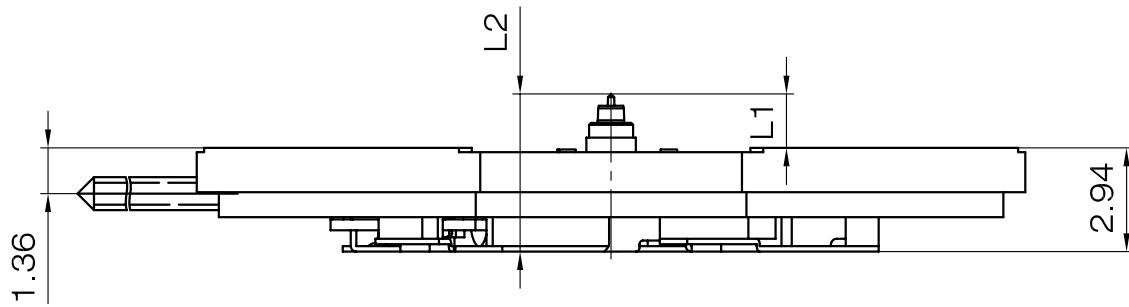


Scale : 4:1  
Unit : mm

Version: 1

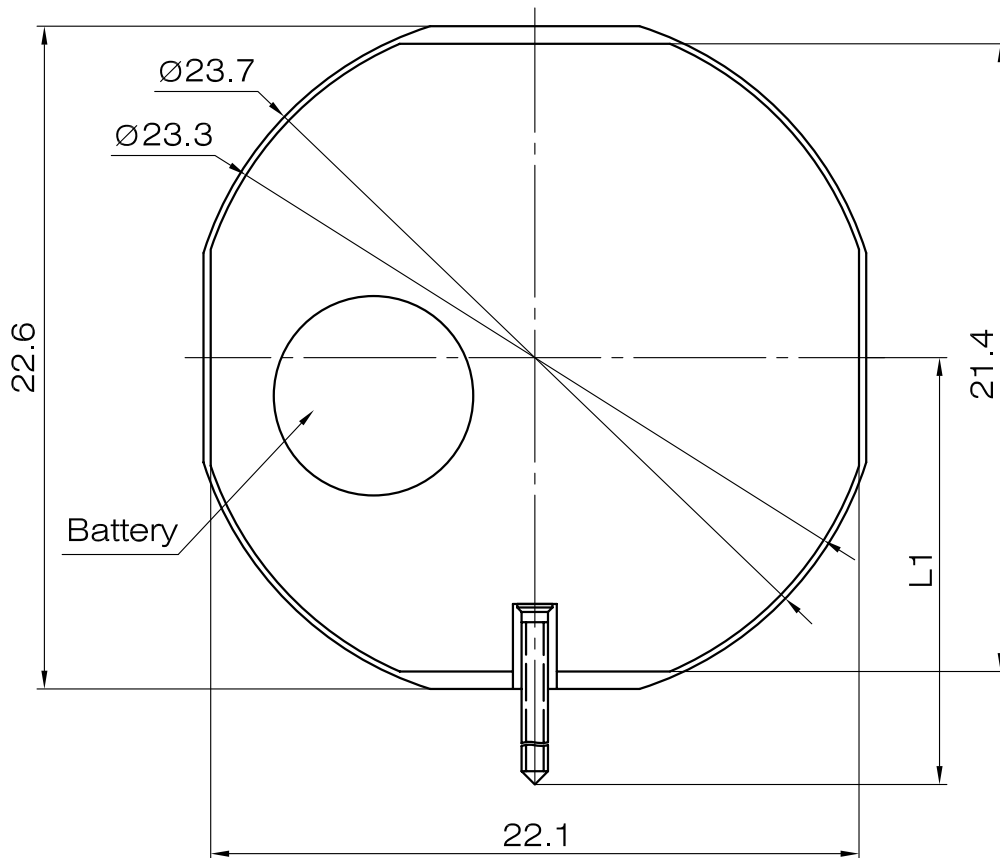
# Casing

PE28D



Center post		Height
Maximum height from main plate surface	L1	1.53
Total height incl. movement	L2	4.47

Hand Setting Stem	A
L1	22.5

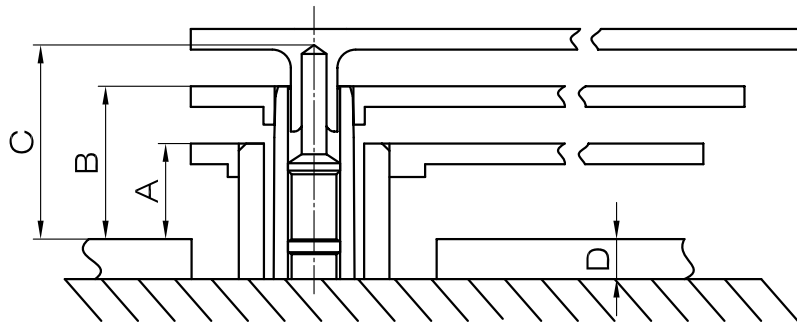
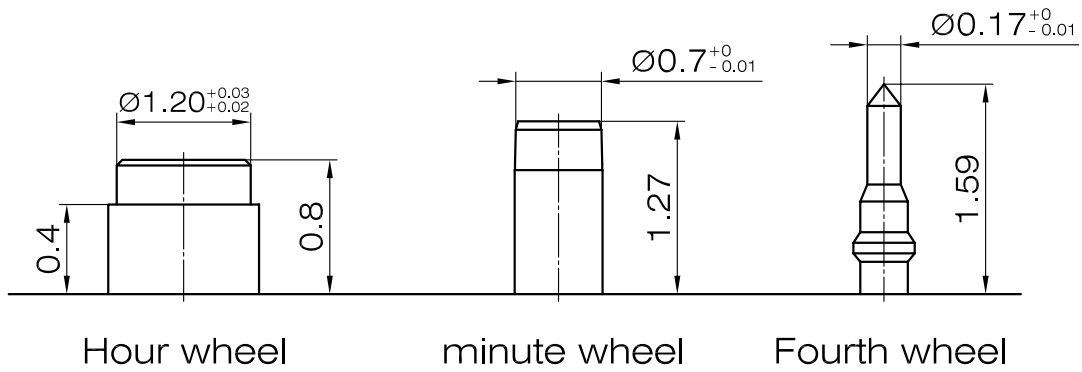


Scale : 5:1  
Unit : mm

Version: 1

Hand fitting

PE28D



	A	B	C	D
height	0.45	0.8	1.13	0.4

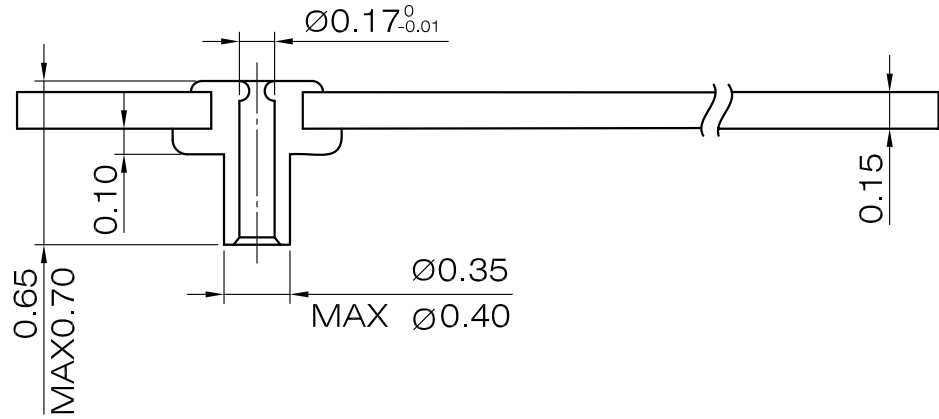
Scale : 20:1  
Unit : mm

Version: 1

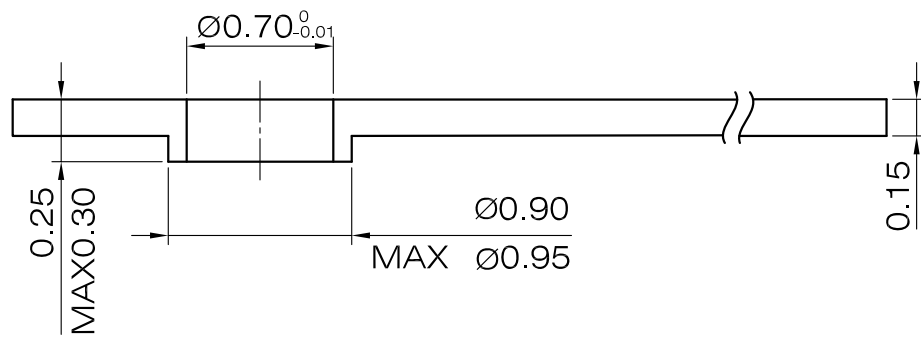
Hands

PE28D

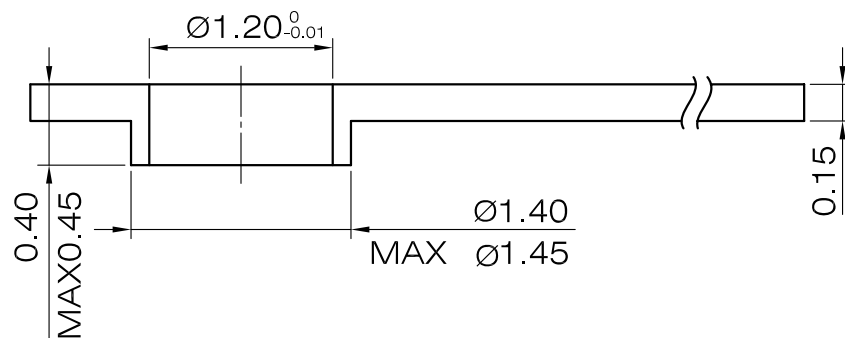
SECOND



MINUTE



HOUR



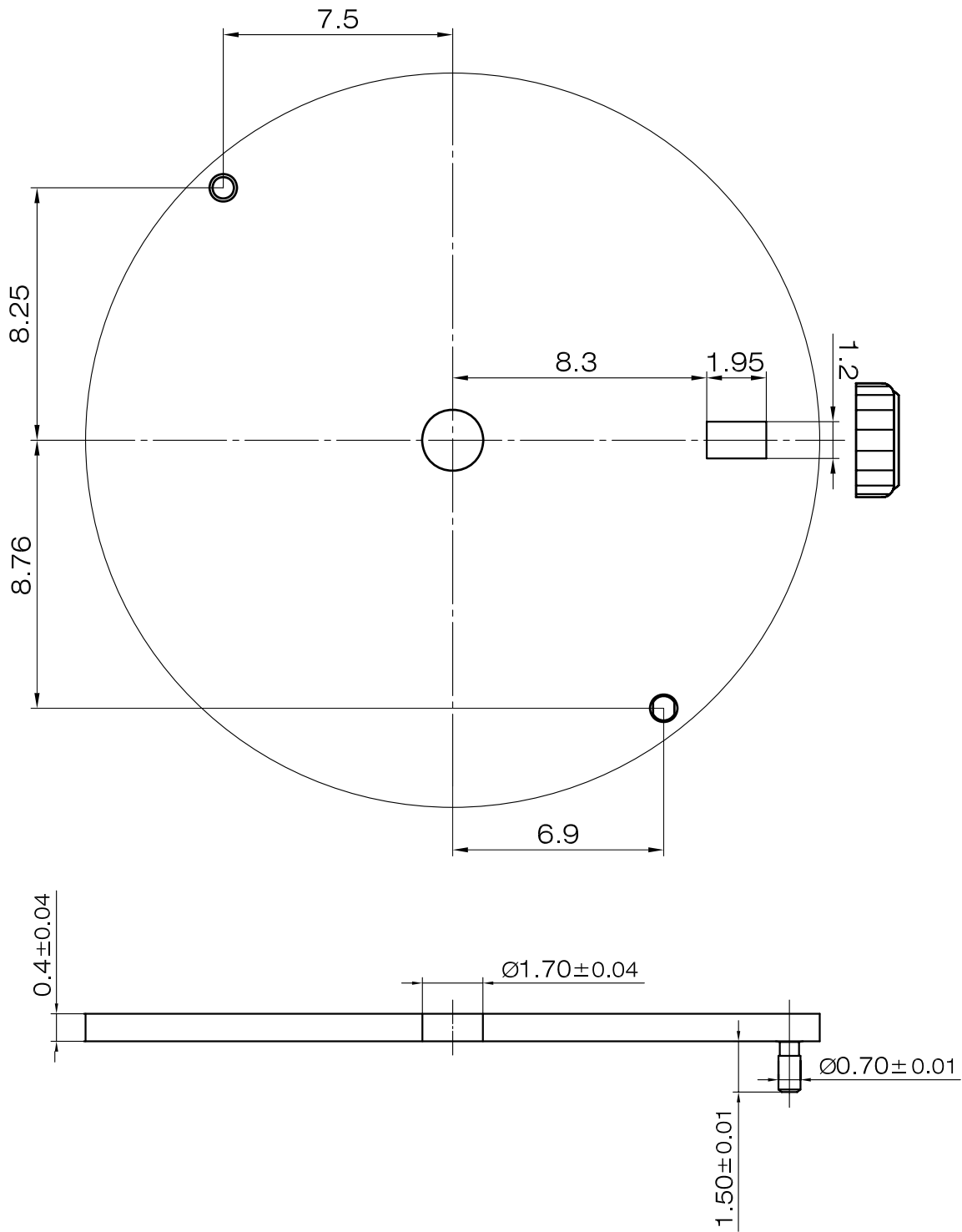
Scale : 20:1

Unit : mm

Version: 1

Dial-1

PE28D



Scale : 7:1  
Unit : mm

Version: 1