

# Cal.PE10

Ø 18.50 mm

H 2.28 mm

Item	Version No
Specification	Version 1
Appearance	Version 1
Casing	Version 1
Hand Fitting	Version 1
Hands	Version 1
Dial - 1	Version 1

# Movement Specification

## PE10 6<sub>3/4</sub> x 8<sup>///</sup> Quartz Movement 3 Hands

### 1.MOVEMENT DIMENSIONS

- Outside diameter  $\varnothing 18.2\text{mm} \times 15.3\text{mm}$
- Total height 2.28mm

### 2.TIME STANDARD

- Frequency of quartz oscillator 32768Hz
- Accuracy Monthly rate: Less than  $\pm 45$  seconds per month at normal temperature range

### 3.BATTERY

- Type Silver oxide battery
- Size  $\varnothing 6.8 \times t 2.1(\text{mm})$
- Recommended battery SR621SW

4.OPERATING TEMPERATURE RANGE From  $-5^{\circ}\text{C} \sim 50^{\circ}\text{C}$

5. OPERATING VOLTAGE 1.25V~1.65V

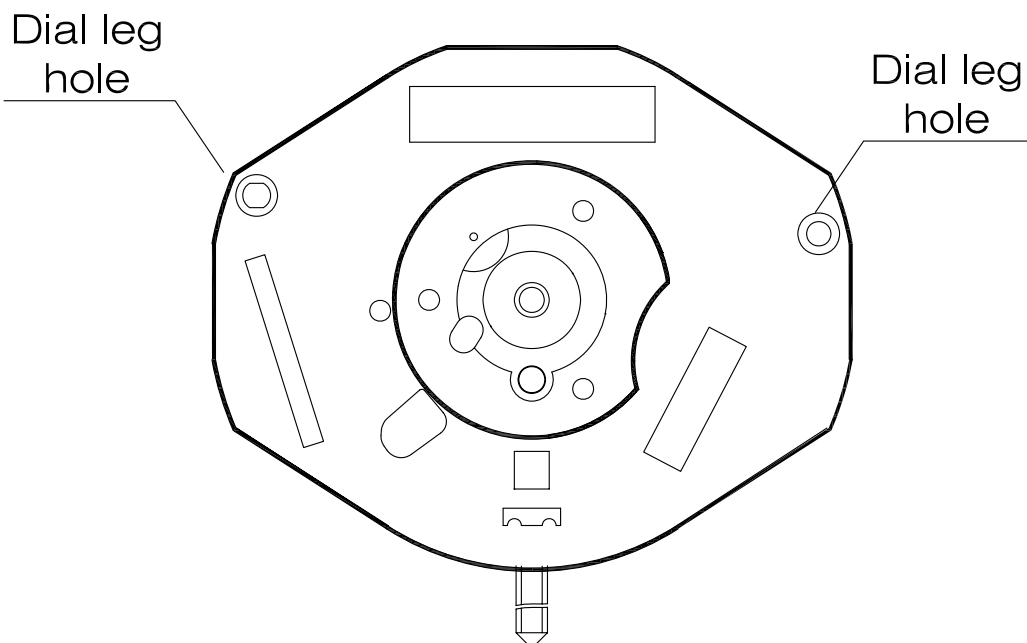
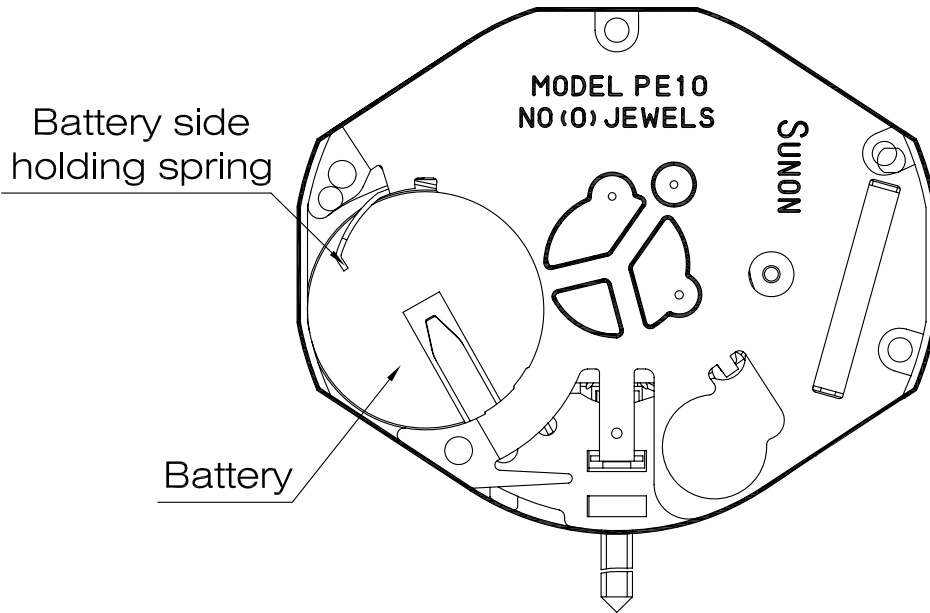
6.AVERAGE OPERATING CURRENT  $2.0\mu\text{A} \sim 2.2\mu\text{A}$

7.OUTPUT TORQUE OF SECOND HAND  $\geq 5.5\mu\text{Nm}$

8.The diameter of the dial leg  $\varnothing 0.70(\text{mm})$

Appearance

PE10



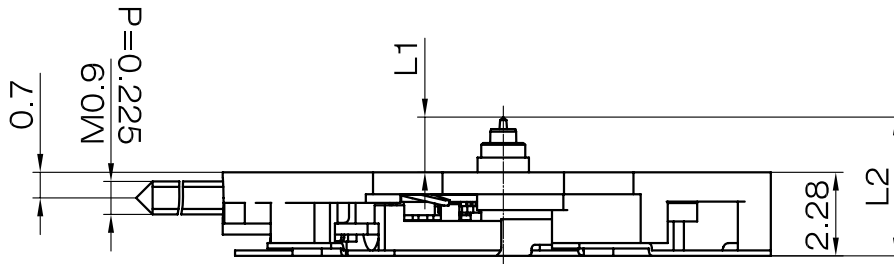
Scale : 4:1

Unit : mm

Version: 1

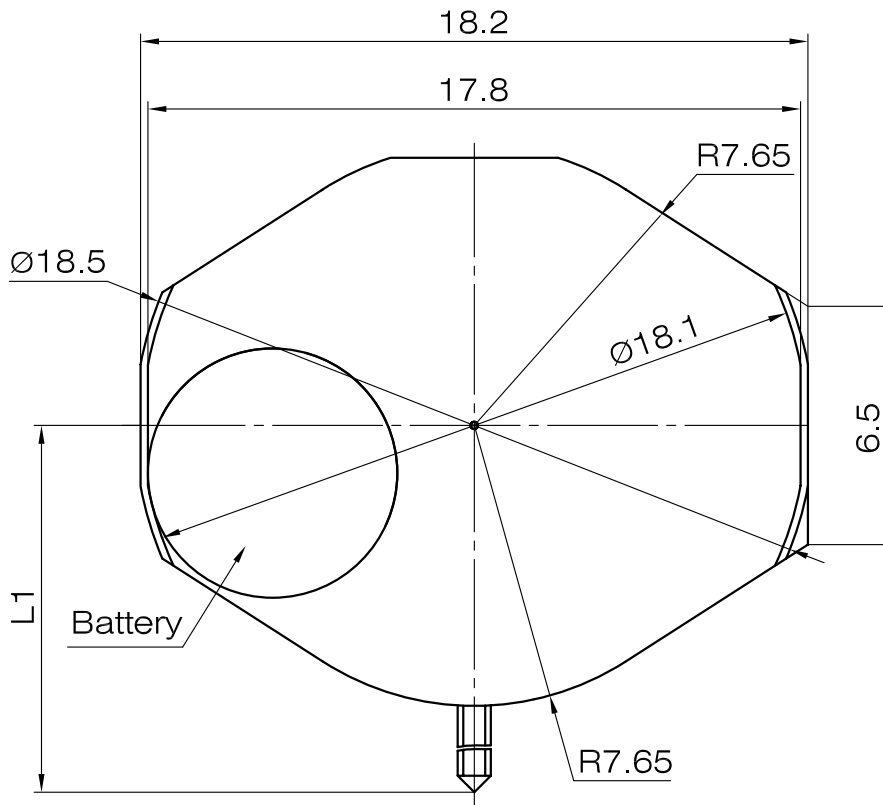
# Casing

PE10



Center post	Height	
Maximum height from main plate surface	L1	1.51
Total height incl. movement	L2	3.79

Hand Setting Stem	A	B
L1	19.2	21.7

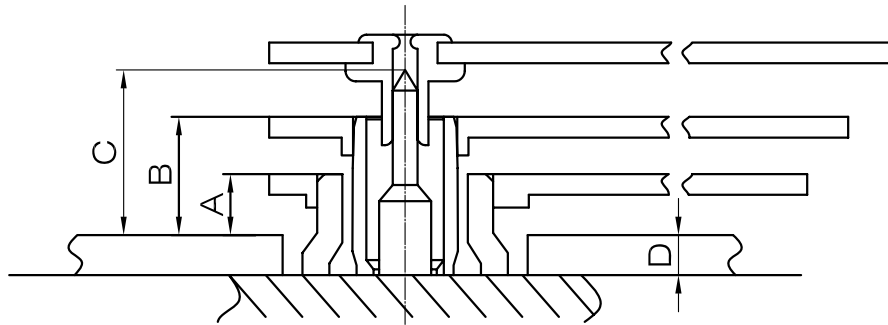
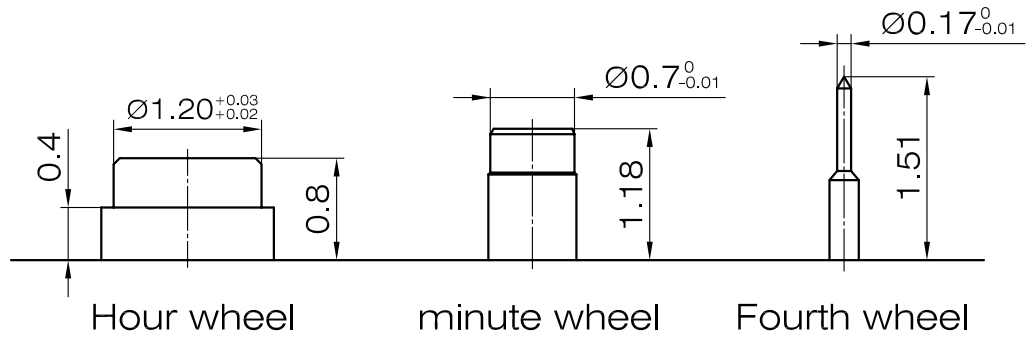


Scale : 4:1  
Unit : mm

Version: 1

Hand fitting

PE10



	A	B	C	D
height	0.4	0.78	1.11	0.4

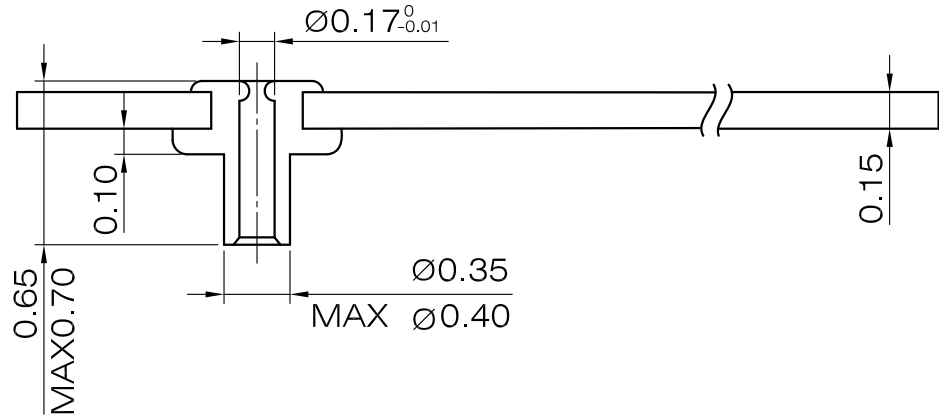
Scale : 20:1  
Unit : mm

Version: 1

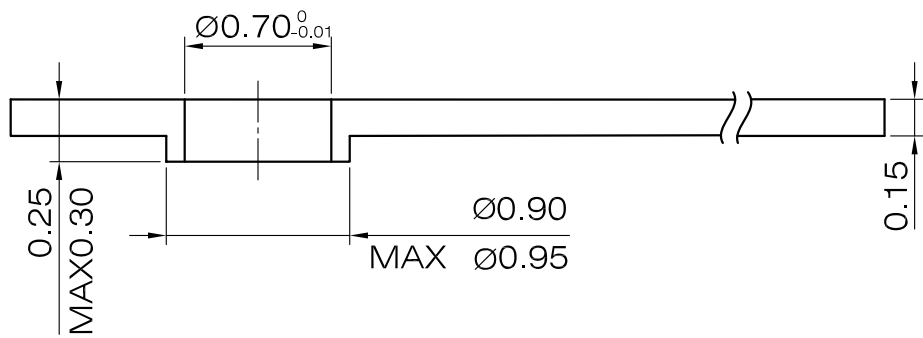
Hands

PE10

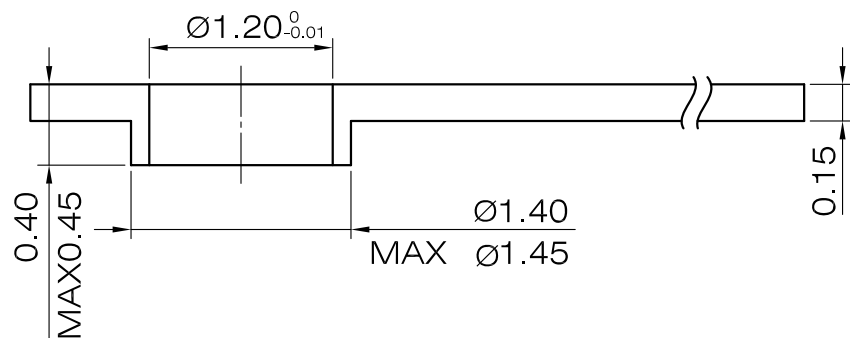
SECOND



MINUTE



HOUR



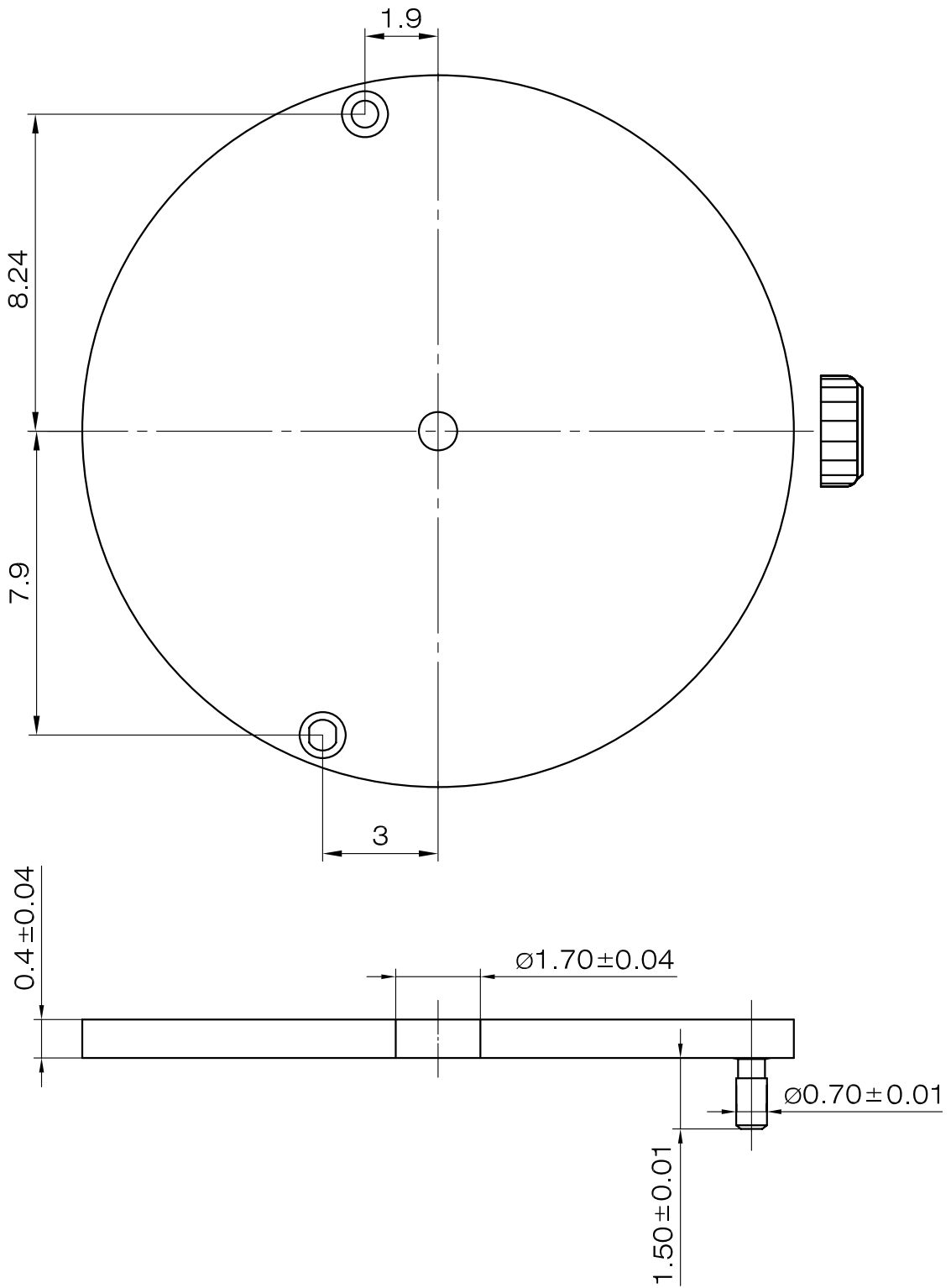
Scale : 20:1

Unit : mm

Version: 1

Dial - 1

PE10



Scale : 7:1  
Unit : mm

Version: 1