

# Cal.SL28D

Ø 23.70 mm

H 4.15 mm

Item	Version No
Specification	Version 1
Appearance	Version 1
Casing	Version 1
Hand Fitting	Version 1
Hands	Version 1
Dial - 1	Version 1

# Movement Specification

## SL28D 10<sub>1/2</sub><sup>'''</sup> Quartz Movement 3 Hands (Date)

### 1.MOVEMENT DIMENSIONS

- Outside diameter  $\varnothing$ 23.70mm
- Total height 4.15mm

### 2.TIME STANDARD

- Frequency of quartz oscillator 32768Hz
- Accuracy Monthly rate: Less than  $\pm$ 45 seconds per month at normal temperature range

### 3.BATTERY

- Type Silver oxide battery
- Size  $\varnothing$ 6.8 X t 2.6(mm)
- Recommended battery SR626SW

4.OPERATING TEMPERATURE RANGE From -5°C~50°C

5. OPERATING VOLTAGE 1.25V~1.65V

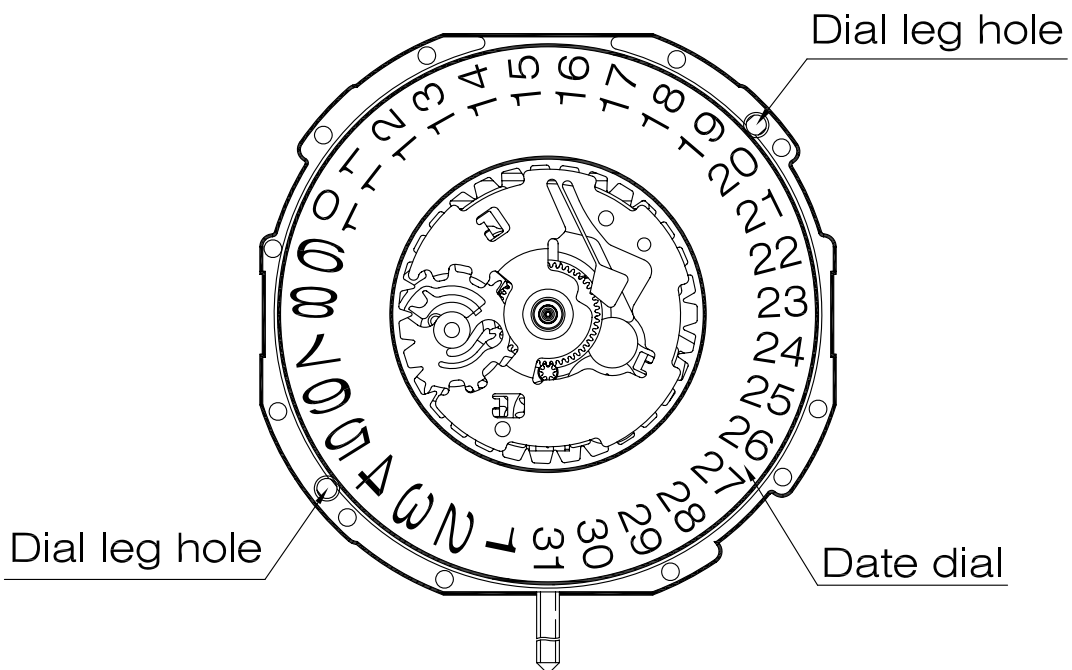
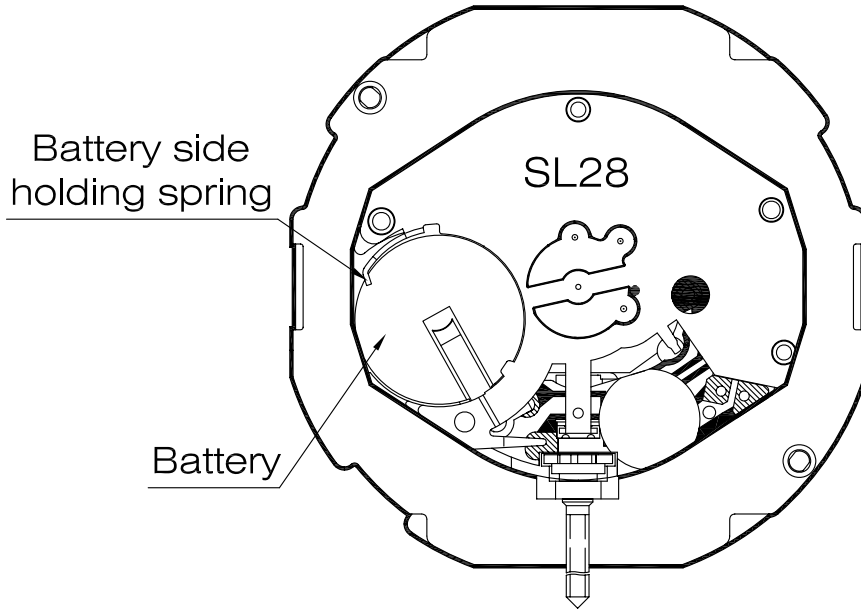
6.AVERAGE OPERATING CURRENT 2.2 $\mu$ A~2.5 $\mu$ A

7.OUTPUT TORQUE OF SECOND HAND  $\geq$ 5.5 $\mu$ Nm

8.The diameter of the dial leg  $\varnothing$ 0.70(mm)

Appearance

SL28D

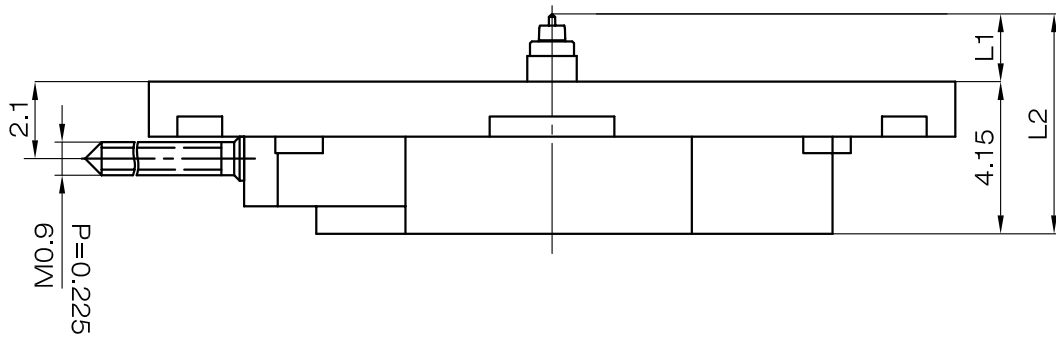


Scale : 4:1  
Unit : mm

Version: 1

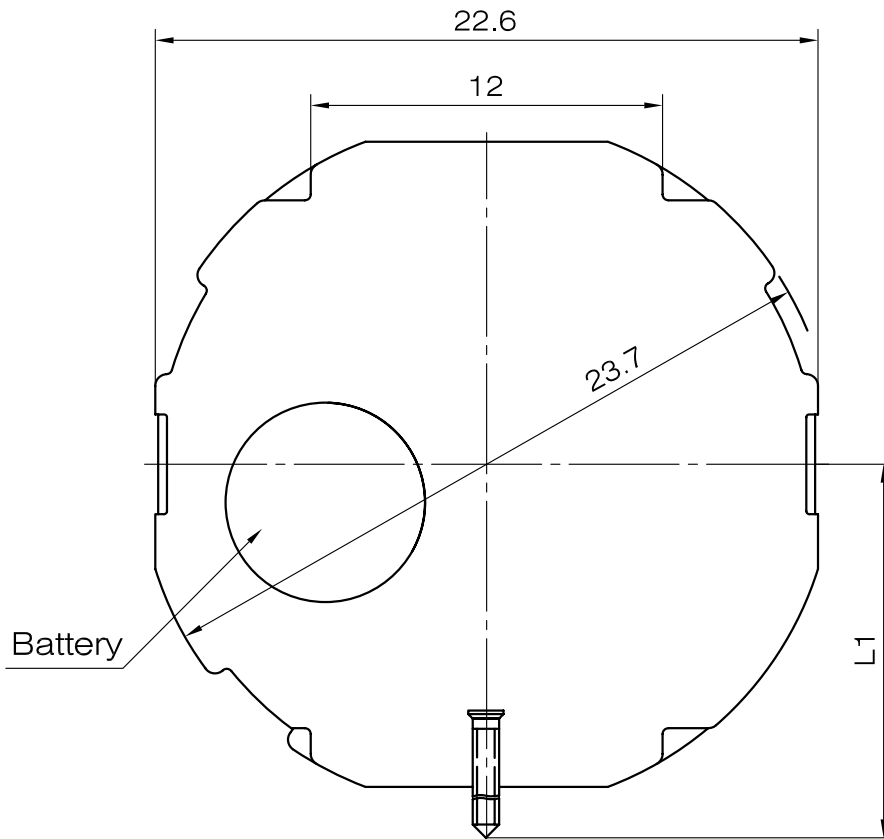
# Casing

SL28D



Center post		Height
Maximum height from main plate surface	L1	1.85
Total height incl. movement	L2	6

Hand Setting Stem	A
L1	22.5

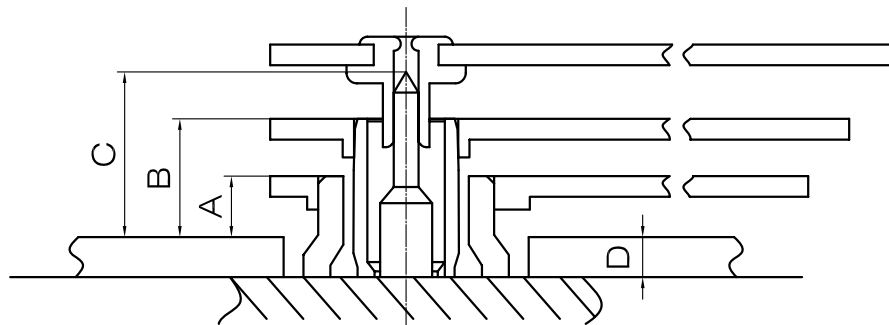
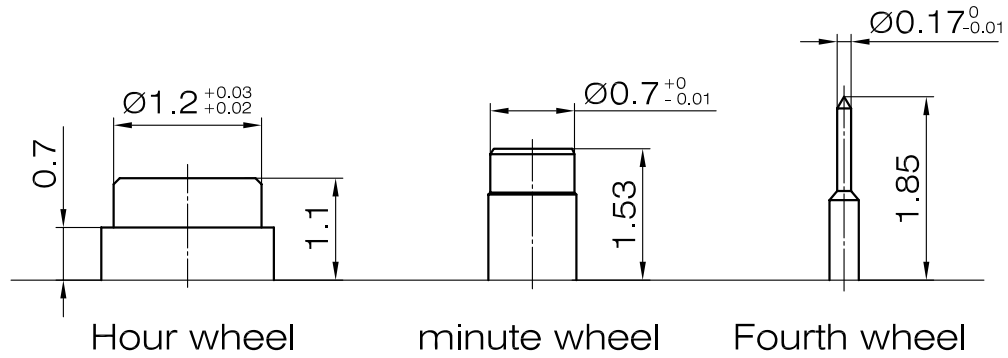


Scale : 5:1  
Unit : mm

Version: 1

Hand fitting

SL28D



	A	B	C	D
height	0.7	1.13	1.45	0.4

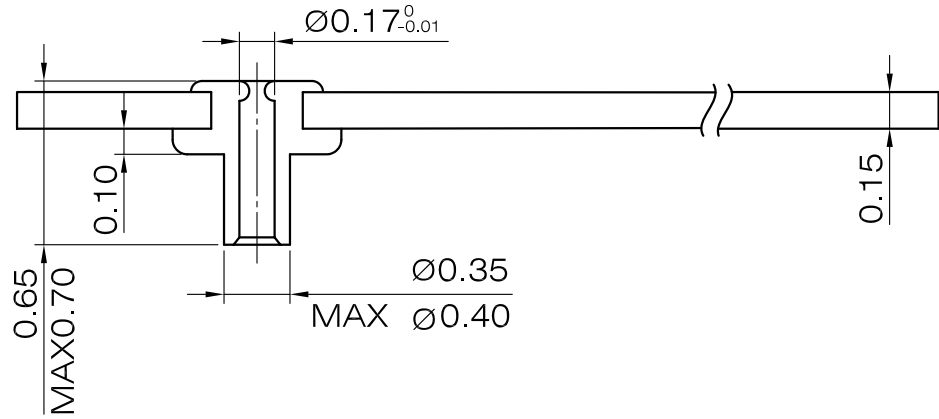
Scale : 20:1  
Unit : mm

Version: 1

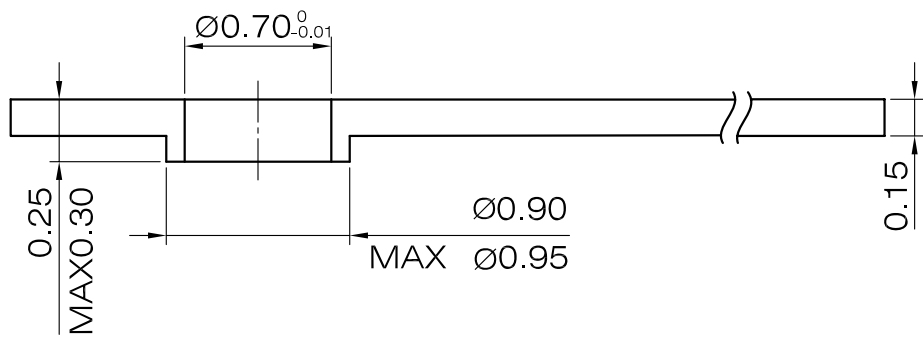
Hands

SL28D

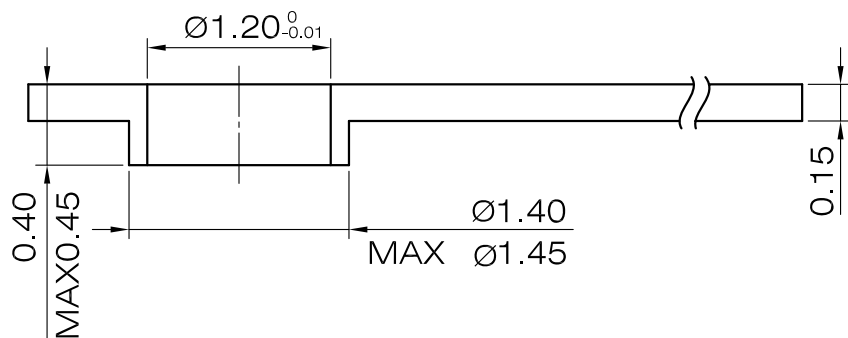
SECOND



MINUTE



HOUR



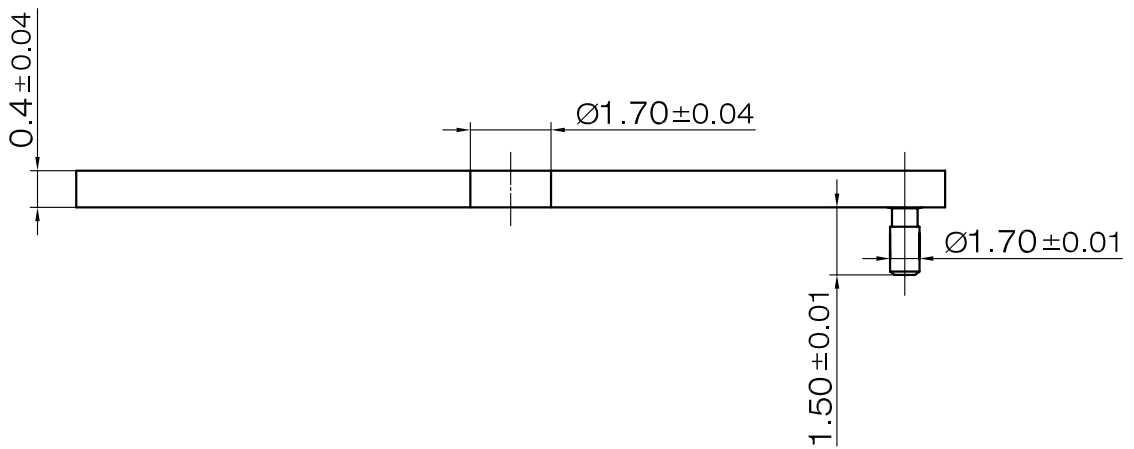
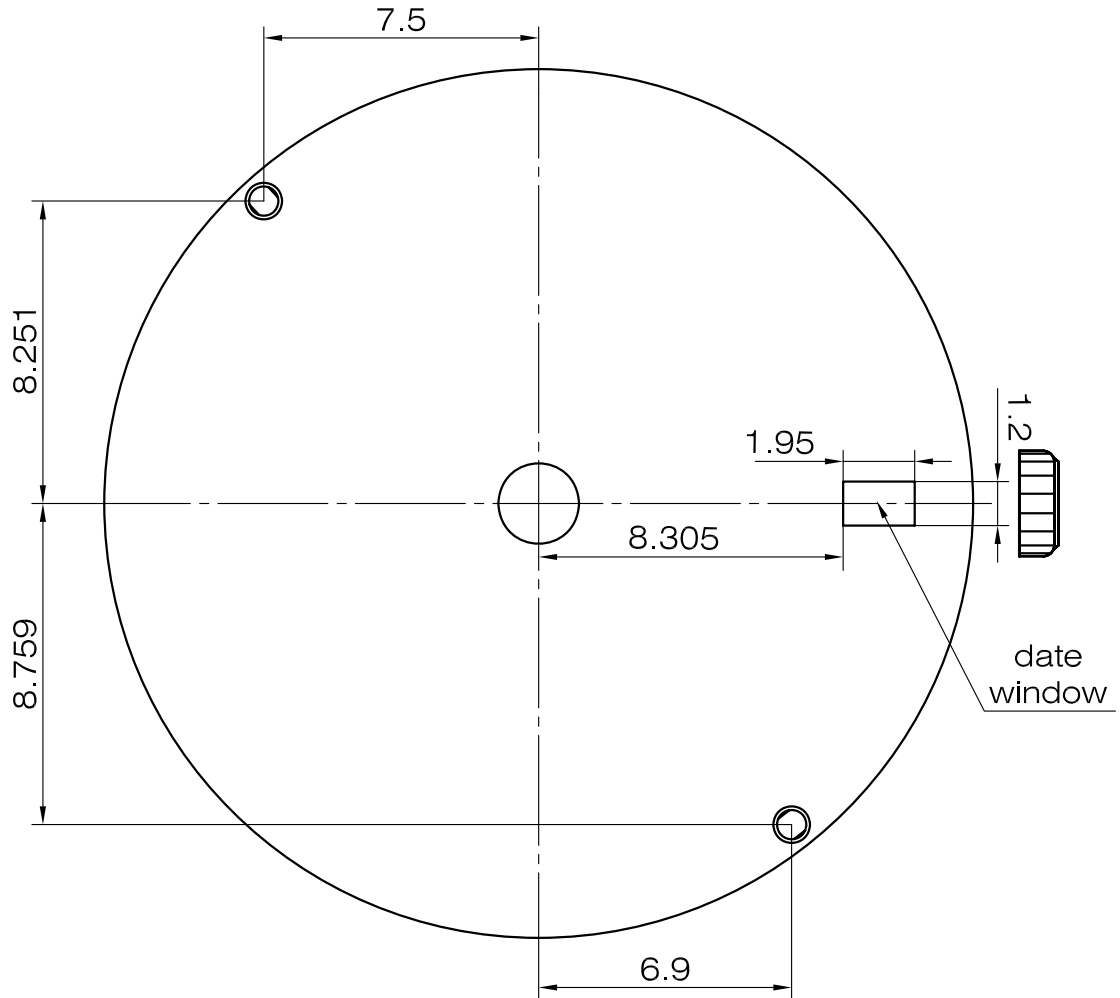
Scale : 20:1

Unit : mm

Version: 1

Dial-1

SL28D



Scale : 7:1  
Unit : mm

Version: 1