

Cal.PE45

Ø 18.50 mm

H 3.15 mm

| Item | Version No |
|-------------------|------------|
| Specification | Version 1 |
| Appearance | Version 1 |
| Casing | Version 1 |
| Hand Fitting | Version 1 |
| Hands | Version 1 |
| Hand Setting Stem | Version 1 |
| Dial - 1 | Version 1 |
| | |



Movement Specification

PE45 6^{3/4} X 8^{1/8} Quartz Movement

2 Hands with small second

1.MOVEMENT DIMENSIONS

- Outside diameter \varnothing 18.2mmX15.3mm
- Total height 3.15mm

2.TIME STANDARD

- Frequency of quartz oscillator 32768Hz
- Accuracy Monthly rate: Less than \pm 45 seconds per month at normal temperature range

3.BATTERY

- Type Silver oxide battery
- Size \varnothing 6.8 X t 2.6(mm)
- Recommended battery SR626SW

4.OPERATING TEMPERATURE RANGE From -5°C~50°C

5. OPERATING VOLTAGE 1.25V~1.65V

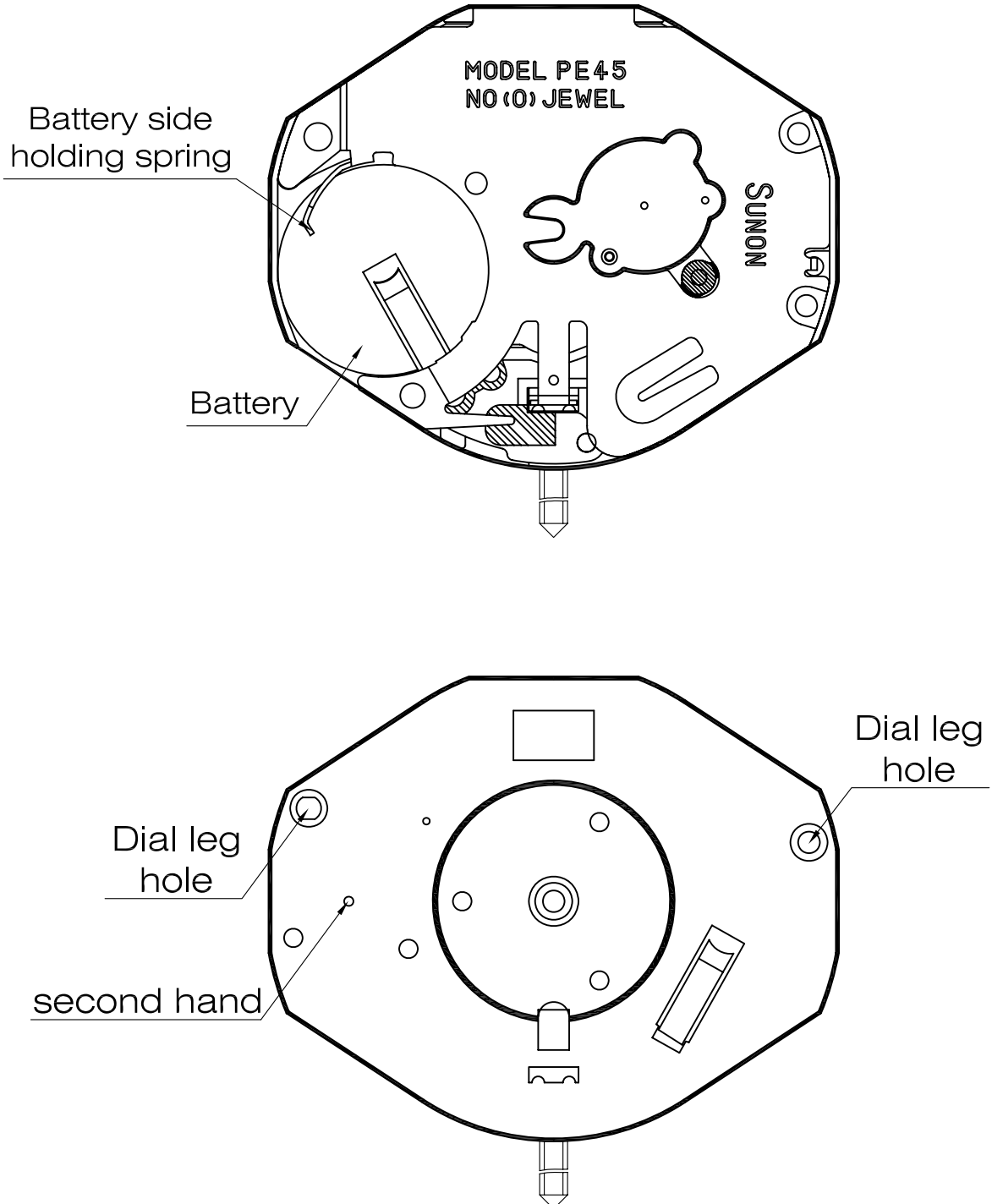
6.AVERAGE OPERATING CURRENT 2.0 μ A

7.OUTPUT TORQUE OF SECOND HAND \geq 5.5 μ Nm

8.The diameter of the dial leg \varnothing 0.70(mm)

Appearance

PE45

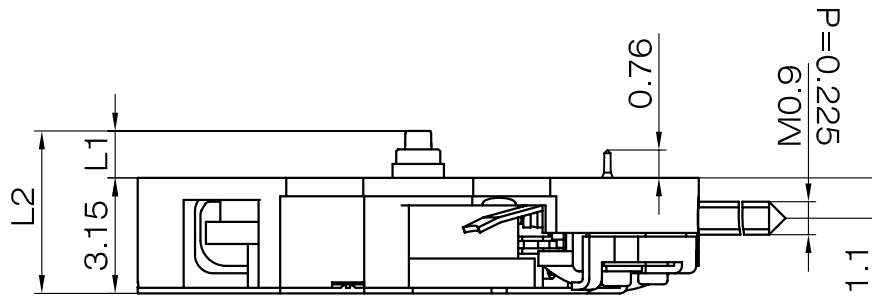


Scale : 4:1
Unit : mm

Version: 1

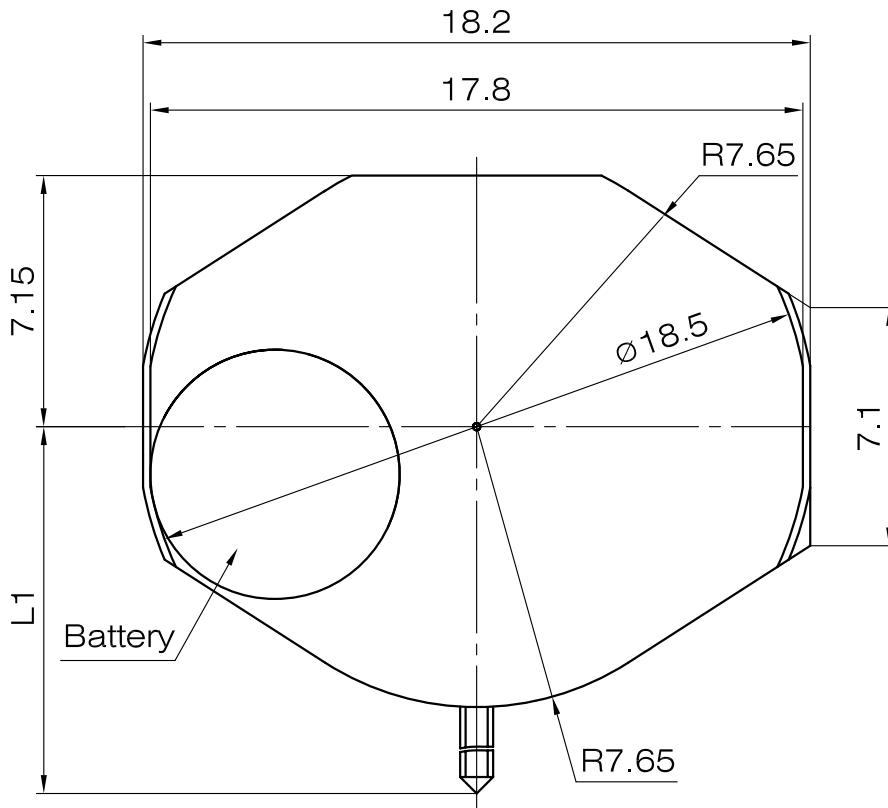
Casing

PE45



| Center post | | Height |
|--|----|--------|
| Maximum height from main plate surface | L1 | 1.6 |
| Total height incl. movement | L2 | 4.75 |

| Hand Setting Stem | A | B |
|-------------------|-----|------|
| L1 | 9.2 | 21.7 |

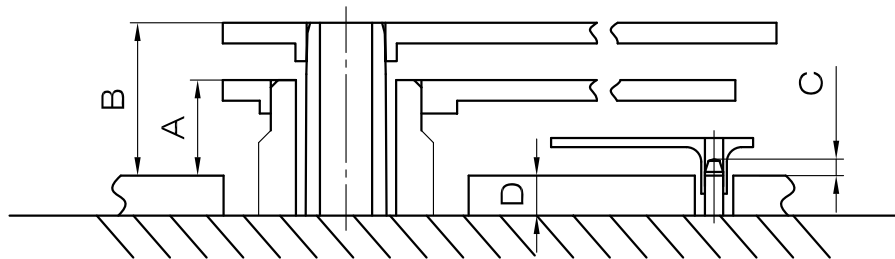
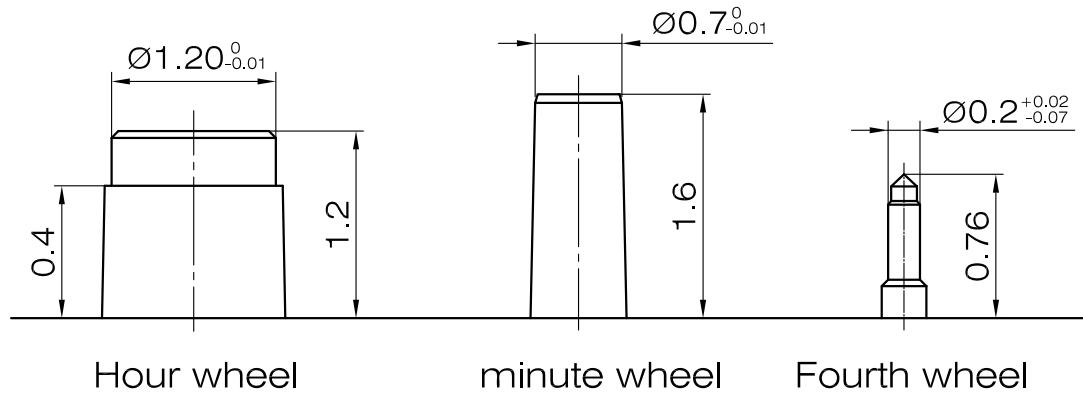


Scale : 4:1
Unit : mm

Version: 1

Hand fitting

PE45



| | A | B | C | D |
|--------|-----|-----|------|-----|
| height | 0.8 | 1.2 | 0.36 | 0.4 |

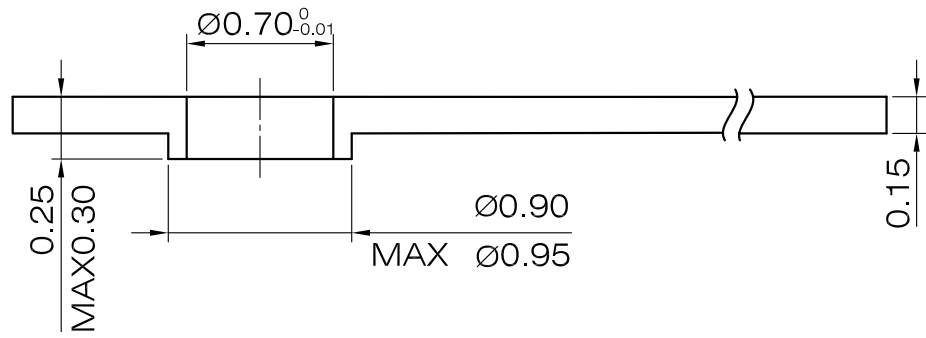
Scale : 20:1
Unit : mm

Version: 1

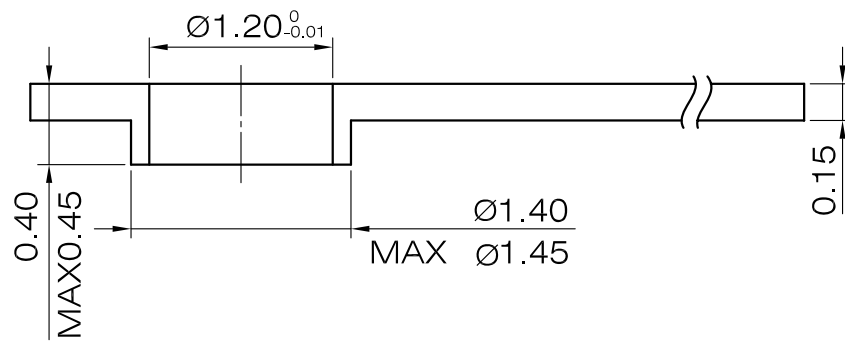
Hands

PE45

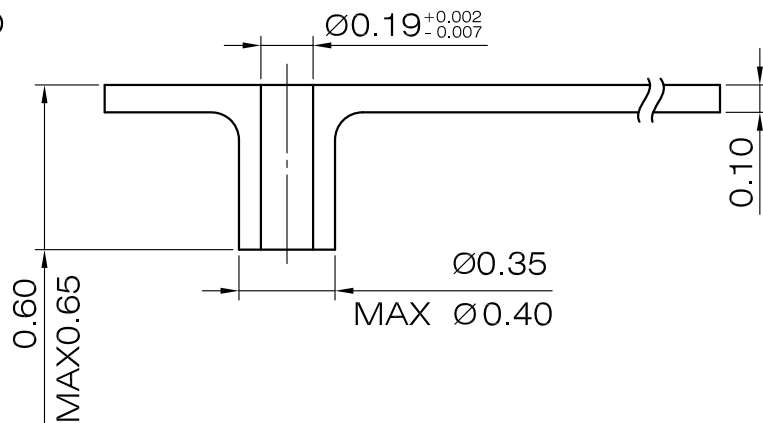
MINUTE



HOUR



CHRONO



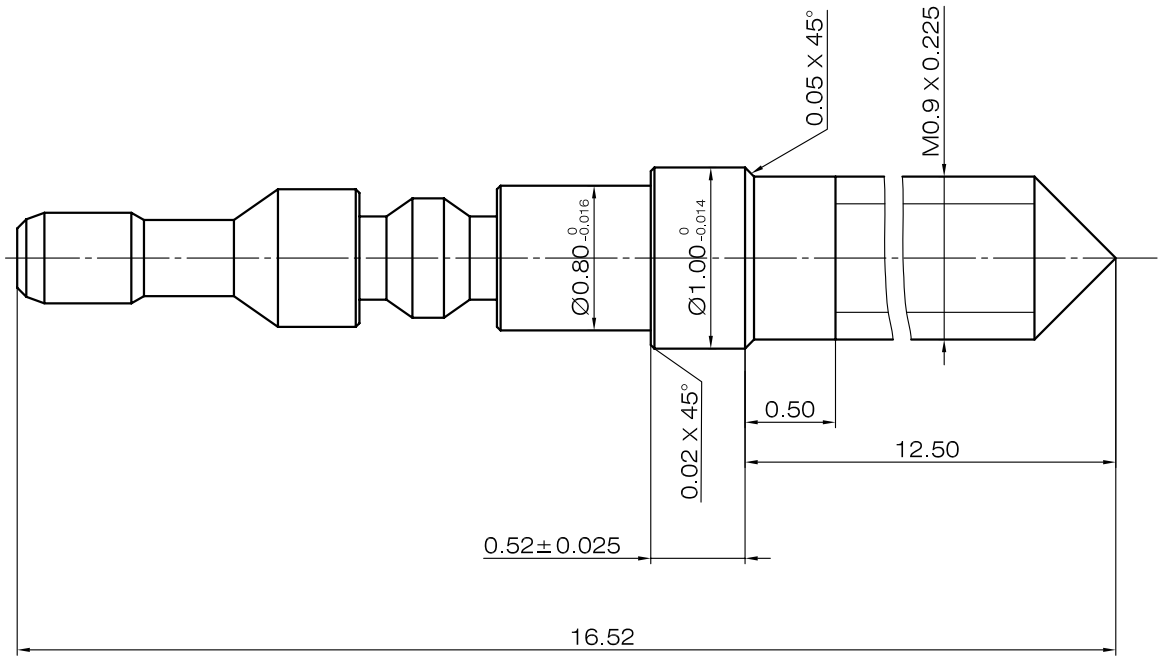
Scale : 20:1

Unit : mm

Version: 1

Hand Setting Stem

PE45

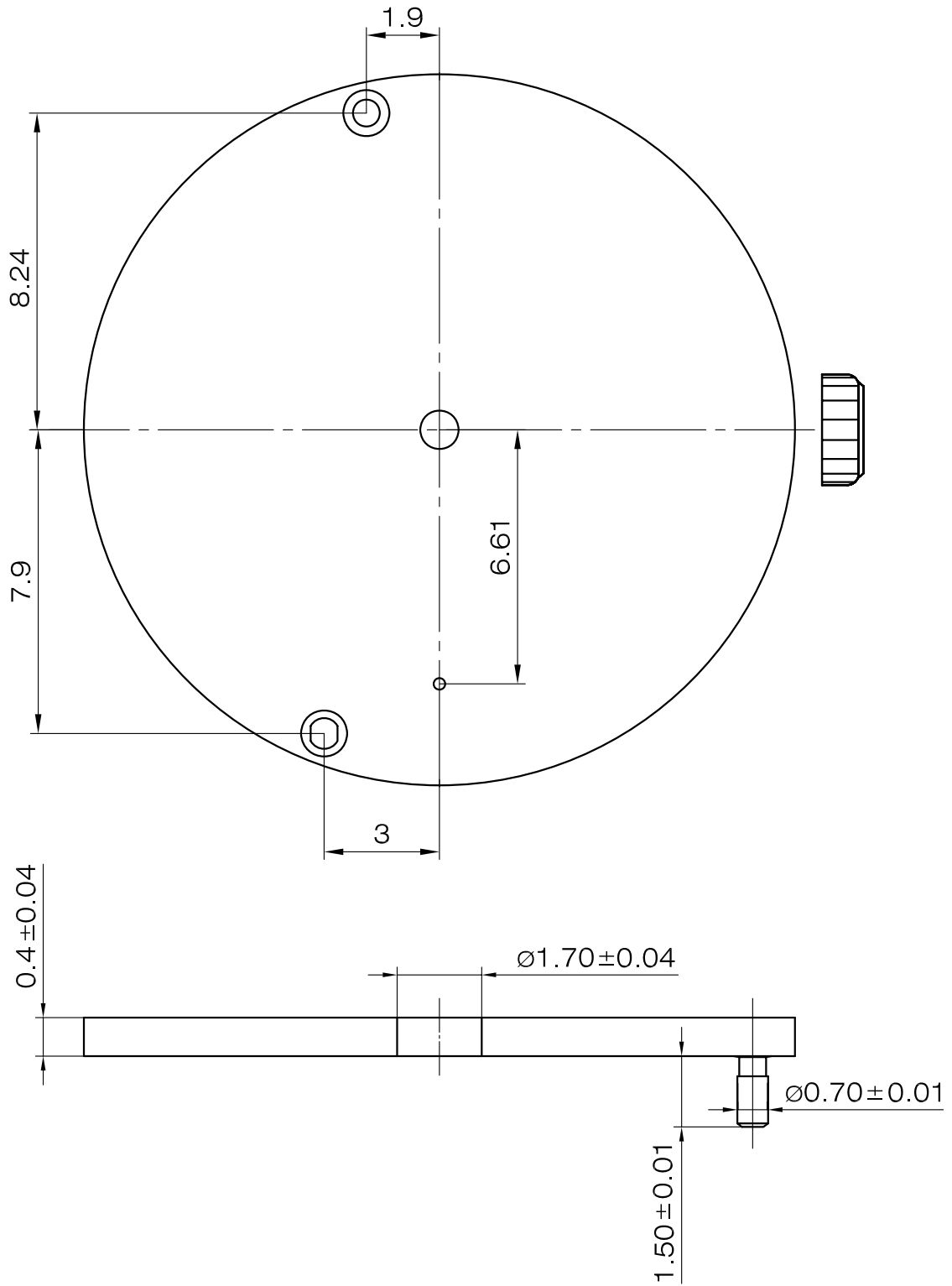


Scale : 20:1
Unit : mm

Version: 1

Dial - 1

PE45



Scale : 8:1
Unit : mm

Version: 1