

Cal.SL25DD

Ø 18.50 mm

H 4.15 mm

Item	Version No
Specification	Version 1
Appearance	Version 1
Casing	Version 1
Hand Fitting	Version 1
Hands	Version 1
Dial - 1	Version 1

Movement Specification

SL25DD 6_{3/4} x 8^{///} Quartz Movement 3 Hands (Day/Date)

1.MOVEMENT DIMENSIONS

- Outside diameter $\varnothing 18.2\text{mm} \times 16.8\text{mm}$
- Total height 4.15mm

2.TIME STANDARD

- Frequency of quartz oscillator 32768Hz
- Accuracy Monthly rate: Less than ± 45 seconds per month at normal temperature range

3.BATTERY

- Type Silver oxide battery
- Size $\varnothing 6.8 \times t 2.6(\text{mm})$
- Recommended battery SR626SW

4.OPERATING TEMPERATURE RANGE From $-5^{\circ}\text{C} \sim 50^{\circ}\text{C}$

5. OPERATING VOLTAGE 1.25V~1.65V

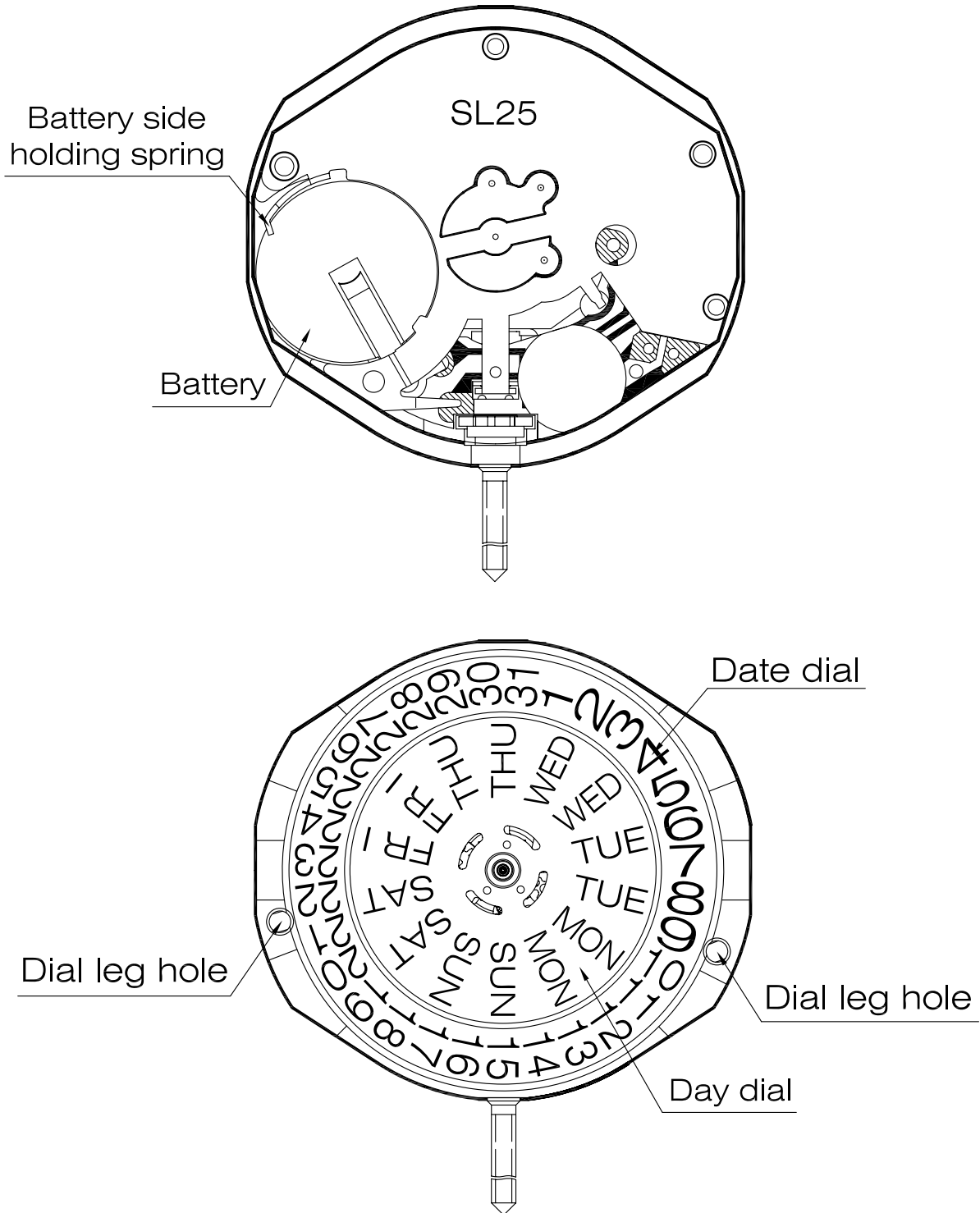
6.AVERAGE OPERATING CURRENT 2.2 μA ~2.5 μA

7.OUTPUT TORQUE OF SECOND HAND $\geq 5.5\mu\text{Nm}$

8.The diameter of the dial leg $\varnothing 0.70(\text{mm})$

Appearance

SL25DD

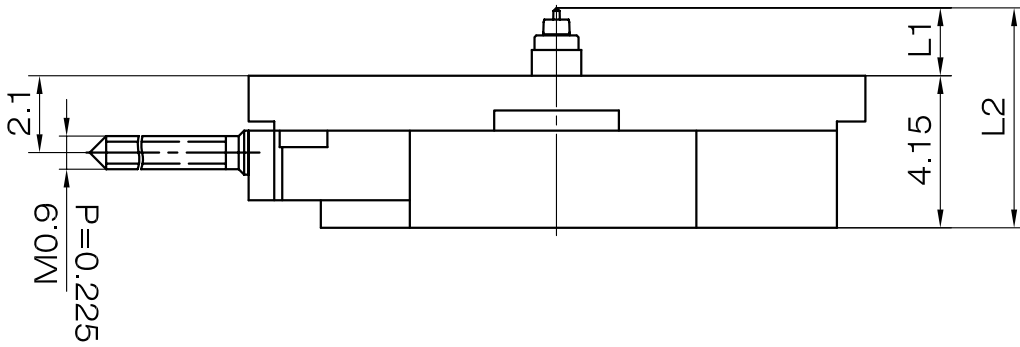


Scale : 5:1
Unit : mm

Version: 1

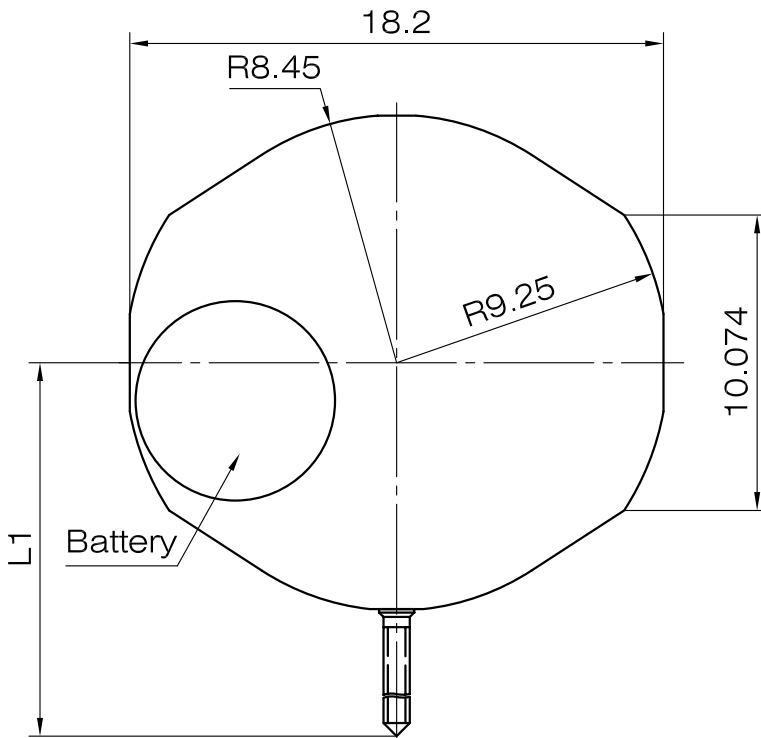
Casing

SL25DD



Center post		Height
Maximum height from main plate surface	L1	1.85
Total height incl. movement	L2	6

Hand Setting Stem	A
L1	22.5

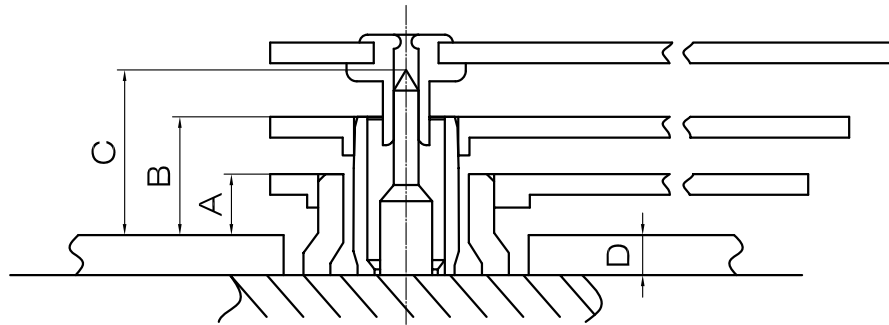
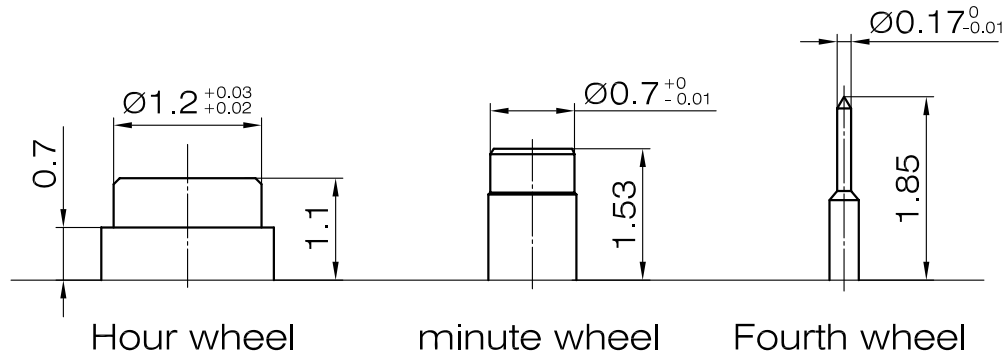


Scale : 4:1
Unit : mm

Version: 1

Hand fitting

SL25DD



	A	B	C	D
height	0.7	1.13	1.45	0.4

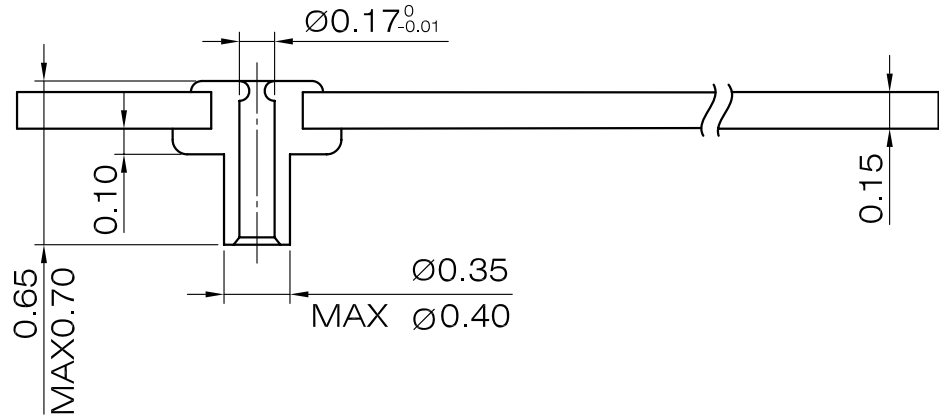
Scale : 20:1
Unit : mm

Version: 1

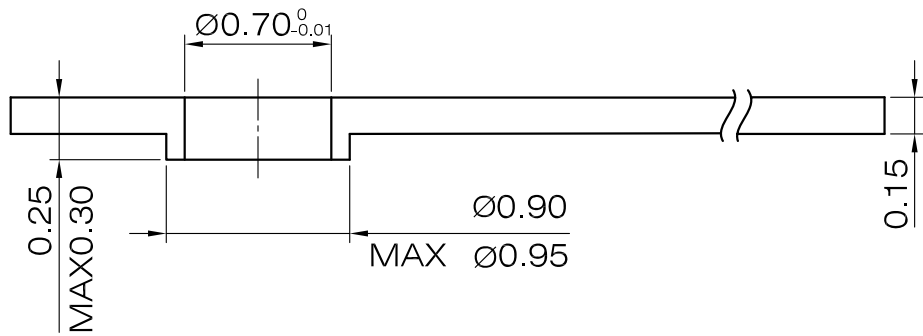
Hands

SL25D

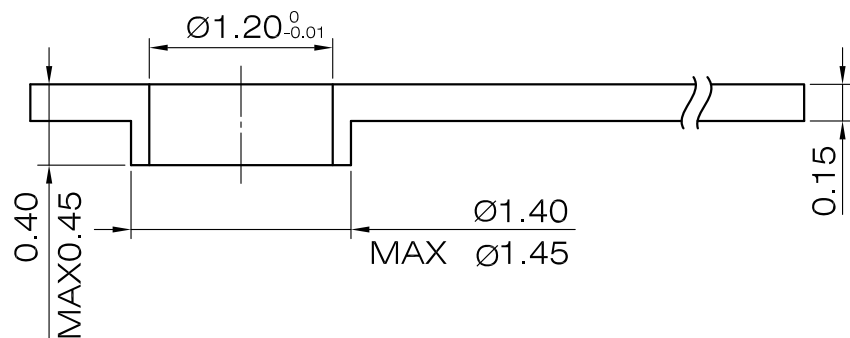
SECOND



MINUTE



HOUR



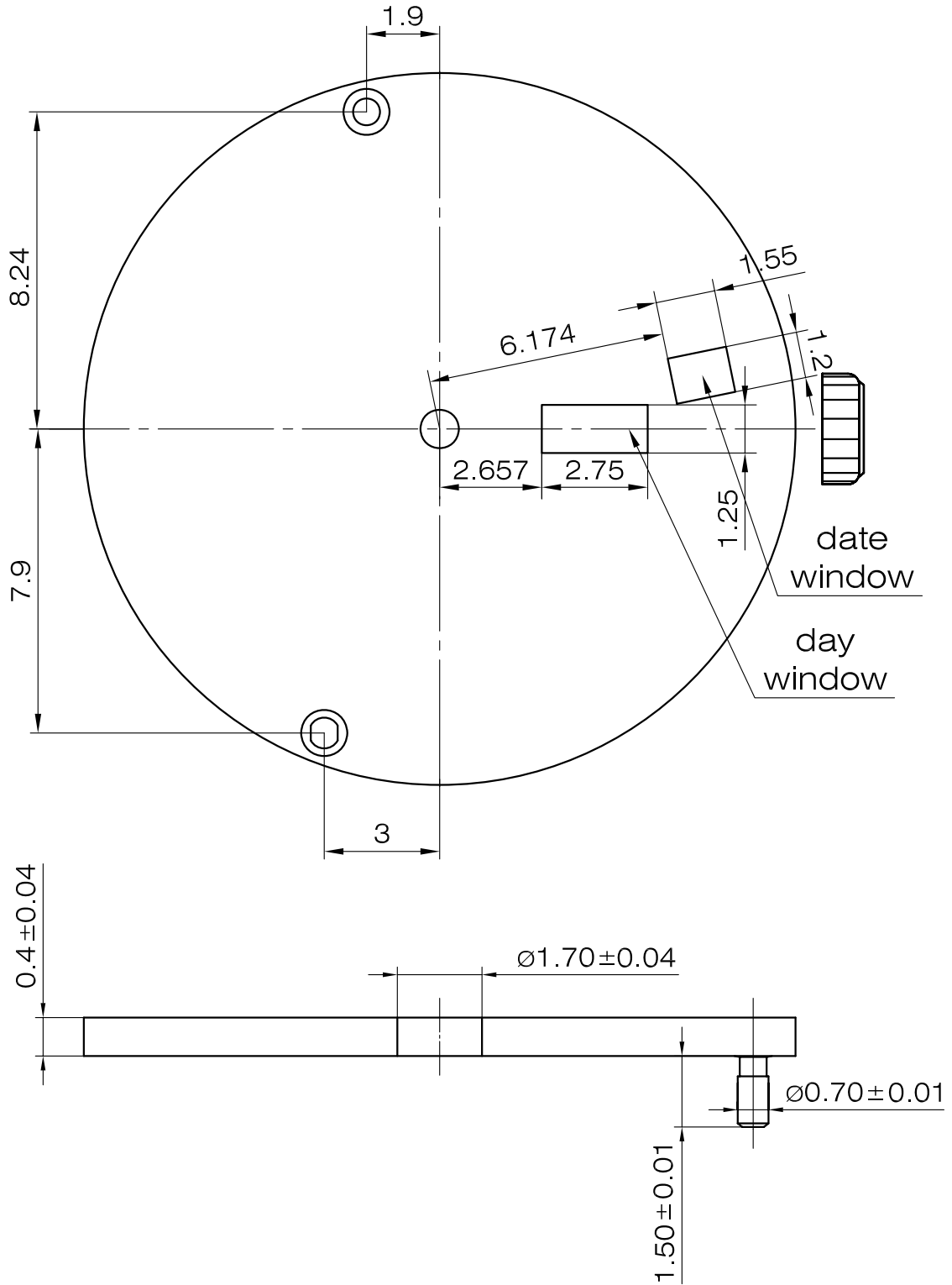
Scale : 20:1

Unit : mm

Version: 1

Dial - 1

SL25DD



Scale : 7:1
Unit : mm

Version: 1