

Cal. PE801

Ø 23.70 mm

H 3.45 mm

Item	Version No
Specification-1	Version 1
Specification-2	Version 1
Appearance	Version 1
Casing	Version 1
Hand Fitting	Version 1
Hands	Version 1
Dial - 1	Version 1

Movement Specification-1

PE801 10^{1/2}''' Quartz Movement

3Hands with 3 Eyes (Date \ Day \ 24 Hour)

1. MOVEMENT DIMENSIONS

- Outside diameter $\varnothing 23.70\text{mm}$
- Total height 3.45mm

2. TIME STANDARD

- Frequency of quartz oscillator 32768Hz
- Accuracy Monthly rate: Less than ± 45 seconds per month at normal temperature range

3. BATTERY

- Type Silver oxide battery
- Size $\varnothing 6.8 \times t 2.6(\text{mm})$
- Recommended battery SR626SW

4. OPERATING TEMPERATURE RANGE From $-5^{\circ}\text{C} \sim 50^{\circ}\text{C}$

5. OPERATING VOLTAGE 1.25V~1.65V

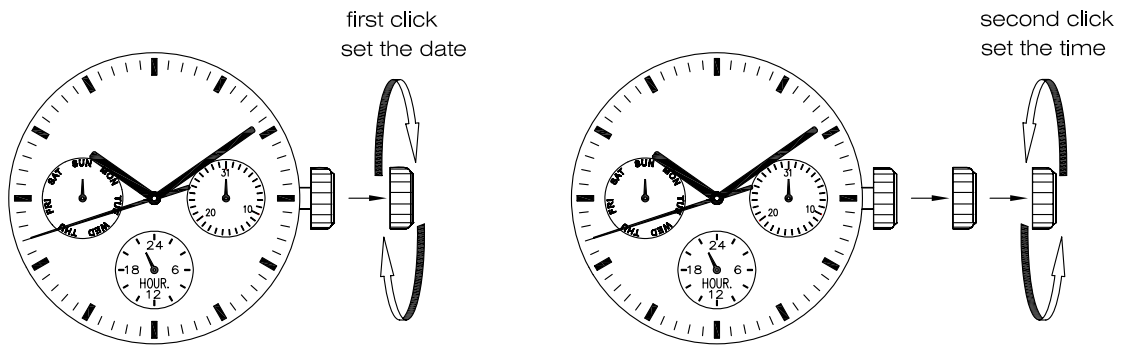
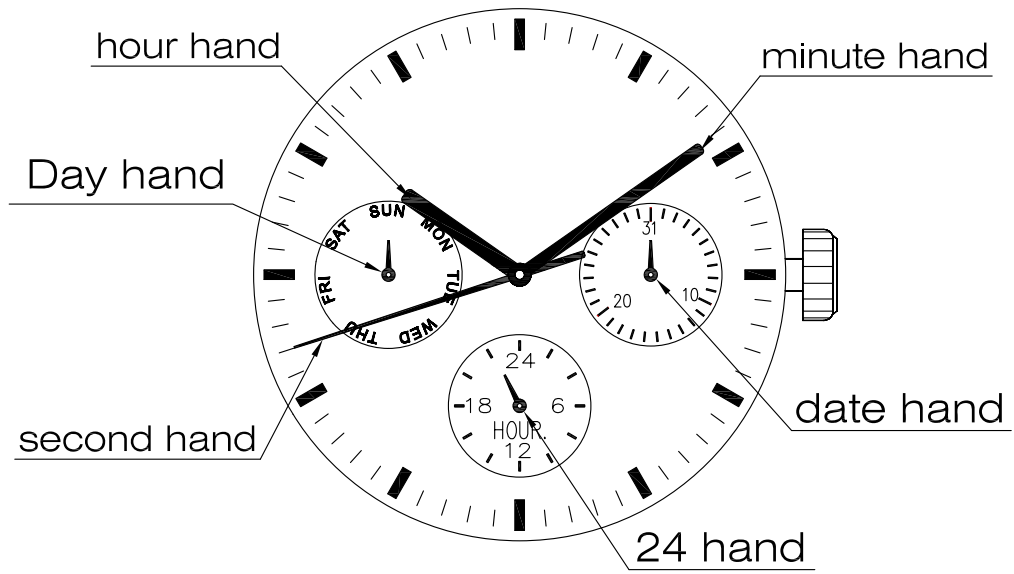
6. AVERAGE OPERATING CURRENT $2.0\mu\text{A} \sim 2.2\mu\text{A}$

7. OUTPUT TORQUE OF SECOND HAND $\geq 5.5\mu\text{Nm}$

8. The diameter of the dial leg $\varnothing 0.75(\text{mm})$

Movement Specification-2

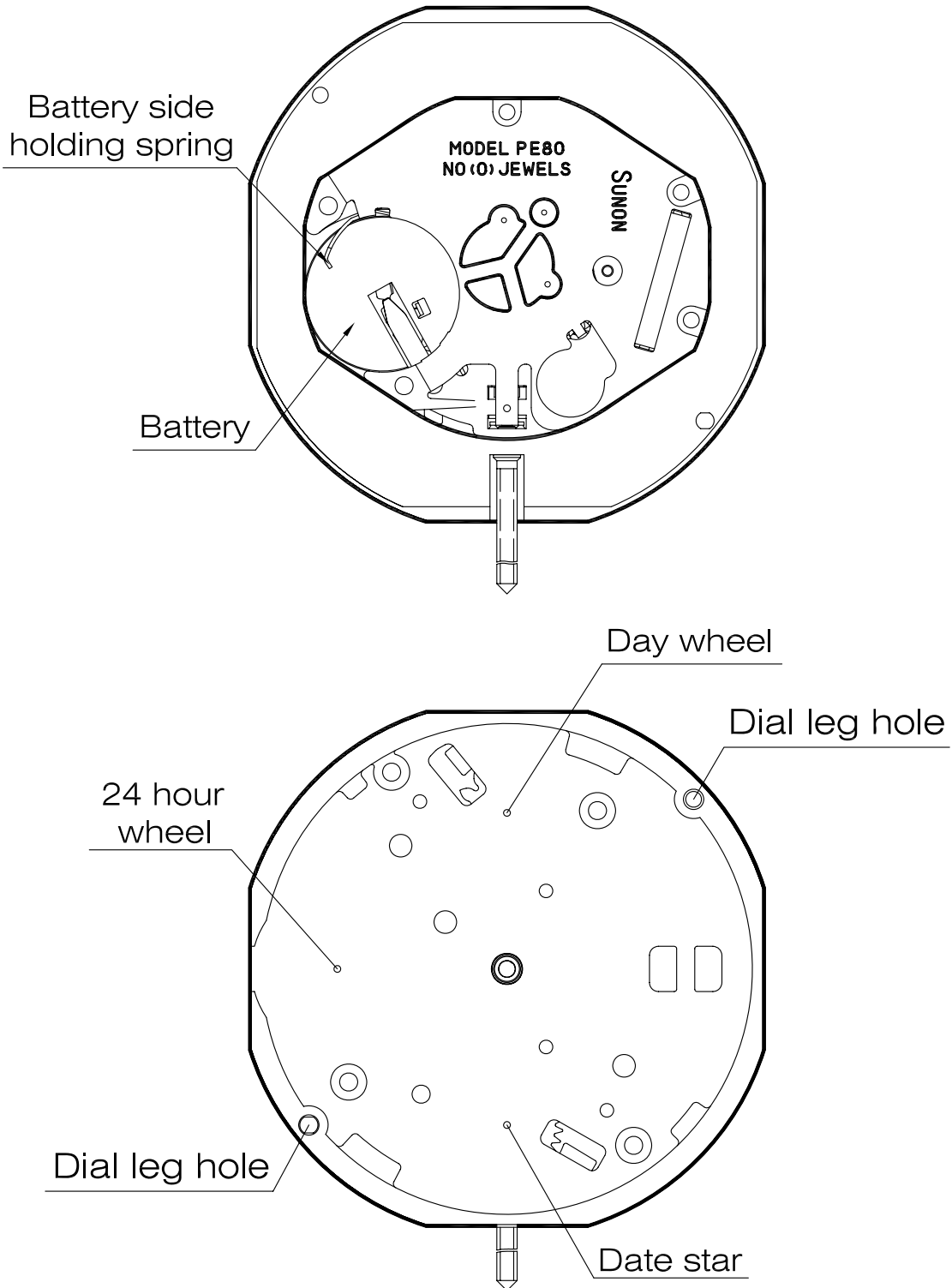
PE801



Version: 1

Appearance

PE801

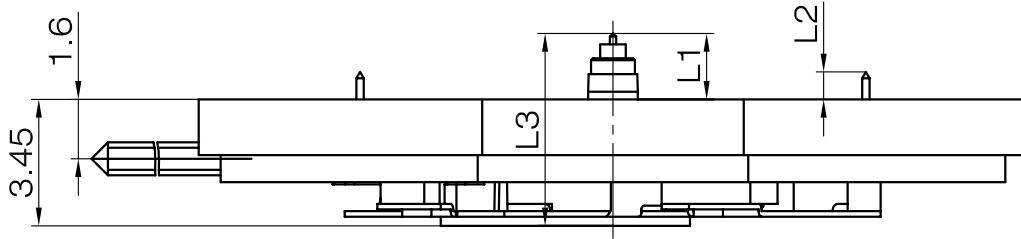


Scale : 4:1
 Unit : mm

Version: 1

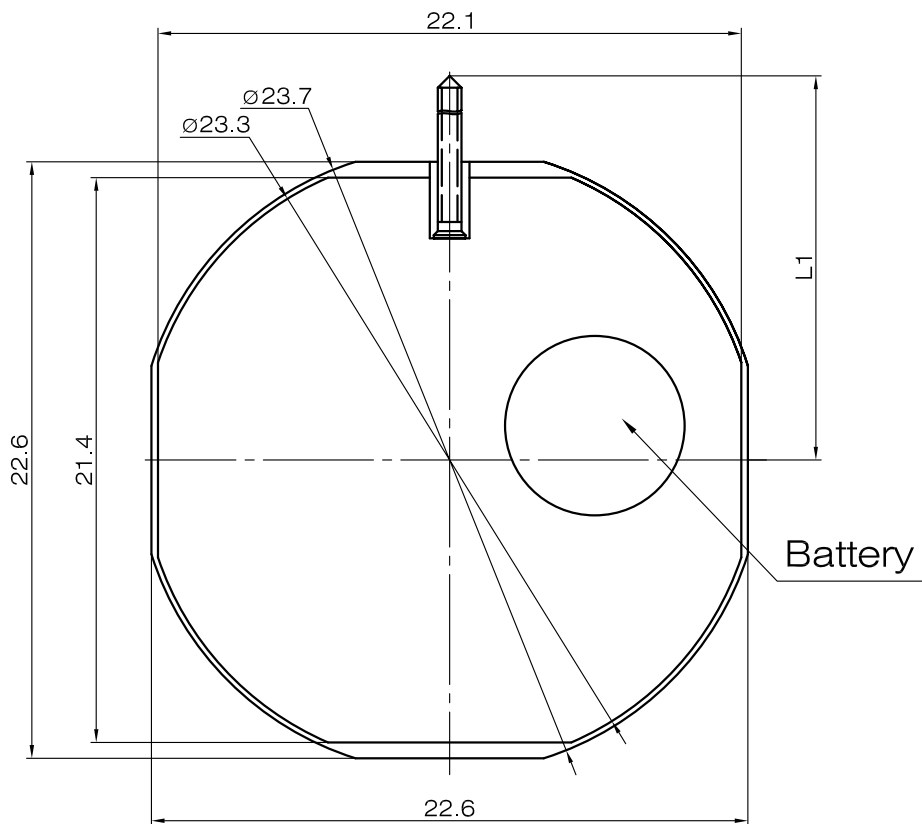
Casing

PE801



Center post		Height
Maximum height from main plate surface	L1	1.8
	L2	0.75
Total height incl. movement	L3	5.25

Hand Setting Stem	A
L1	22.5

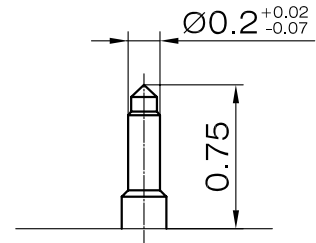
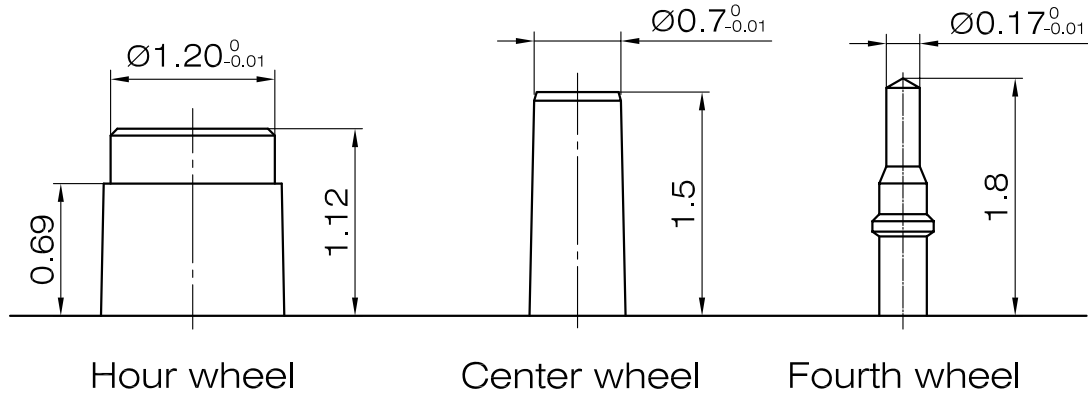


Scale : 4:1
Unit : mm

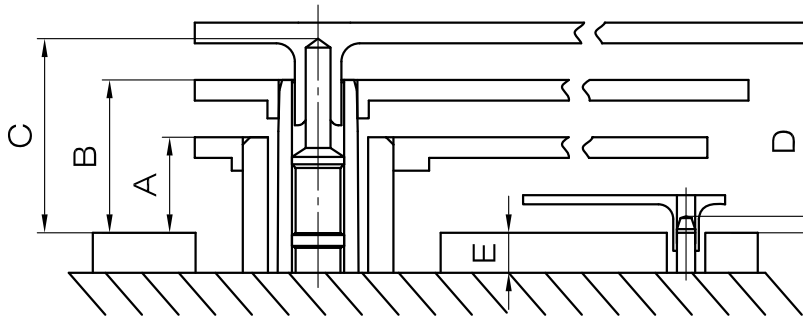
Version: 1

Hand fitting

PE801



24 hour wheel
Day wheel
Date star



	A	B	C	D	E
height	0.72	1.1	1.4	0.35	0.4

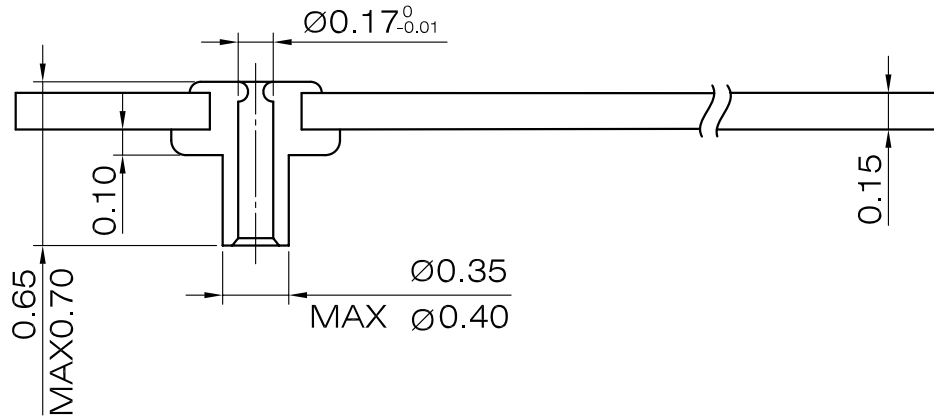
Scale : 20:1
Unit : mm

Version: 1

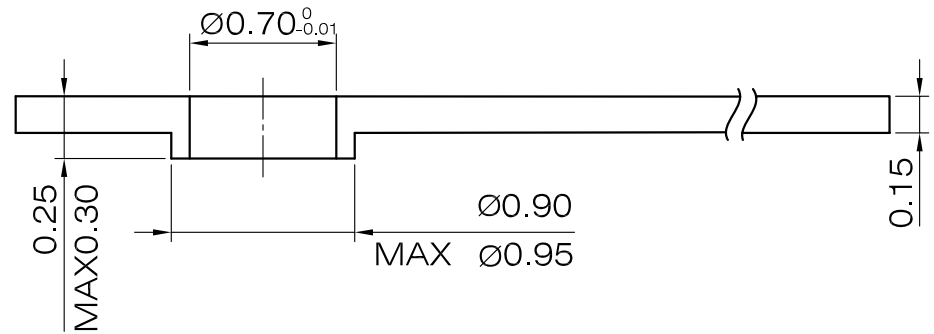
Hands

PE801

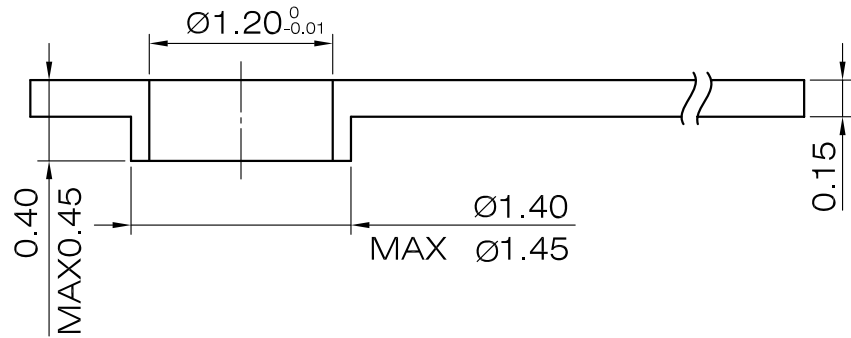
SECOND



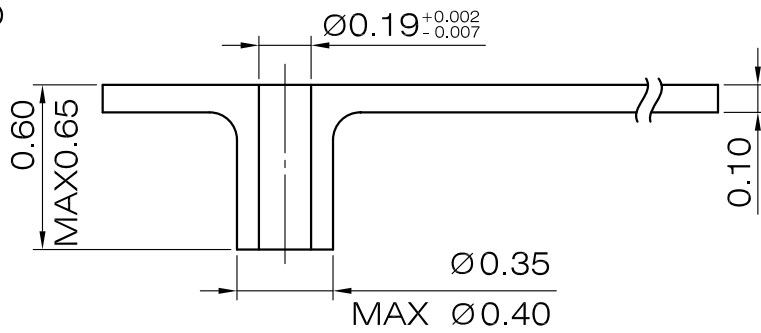
MINUTE



HOUR



CHRONO



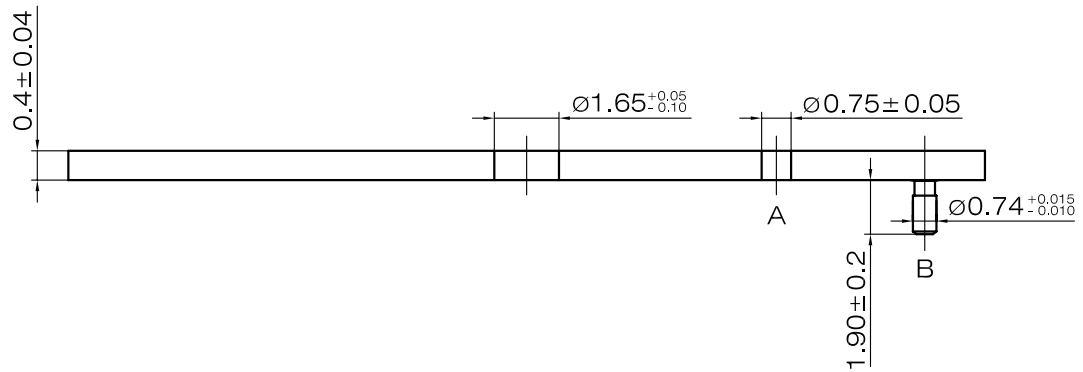
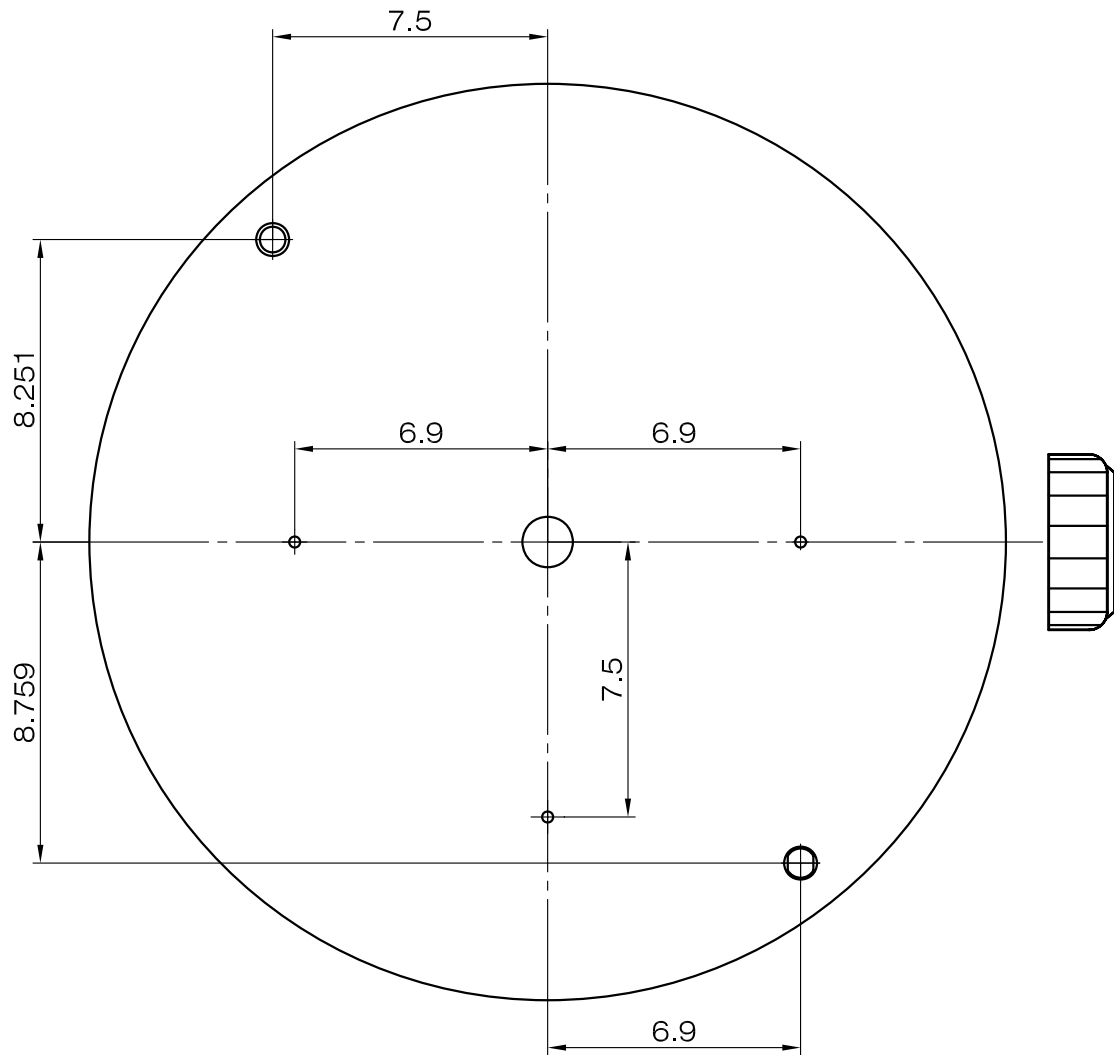
Scale : 20:1

Unit : mm

Version: 1

Dial-1

PE801



Scale : 5:1
Unit : mm

Version: 1