

Cal. PE905

Ø 29.75 mm

H 4.52 mm

Item	Version No
Specification-1	Version 2
Specification-2	Version 2
Appearance	Version 2
Casing	Version 2
Hand Fitting	Version 2
Hands	Version 2
Dial - 1	Version 2
Dial - 2	Version 2



Movement Specification-1

PE905 12_{3/4}^{'''} Quartz Movement

3Hands with 3 Eyes/Date

(Second Chronograph \ Minute & Calendar \ Sun&Moon)

1. MOVEMENT DIMENSIONS

- Outside diameter $\varnothing 29.75\text{mm}$
- Total height 4.52mm

2. TIME STANDARD

- Frequency of quartz oscillator 32768Hz
- Accuracy Monthly rate: Less than ± 30 seconds per month at normal temperature range

3. BATTERY

- Type Silver oxide battery
- Size $\varnothing 9.6 \times t 2.1(\text{mm})$
- Recommended battery SR921SW

4. OPERATING TEMPERATURE RANGE From $-5^{\circ}\text{C} \sim 50^{\circ}\text{C}$

5. OPERATING VOLTAGE 1.25V~1.65V

6. AVERAGE OPERATING CURRENT 2.0 μA ~2.4 μA
(Don't open small seconds time)

7. OUTPUT TORQUE OF SECOND HAND $\geq 5.5\mu\text{Nm}$

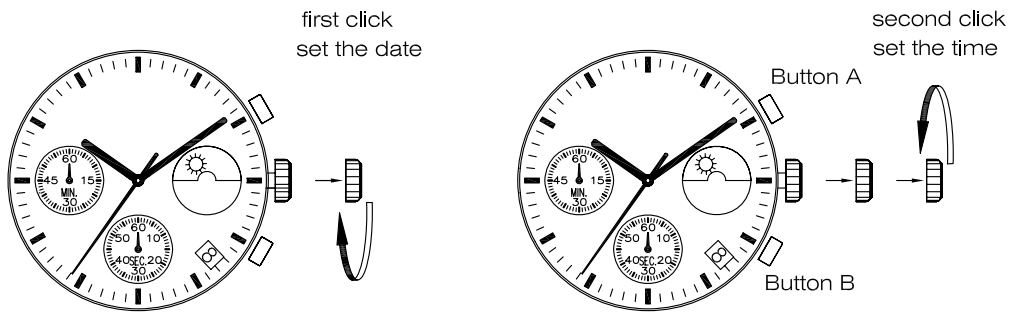
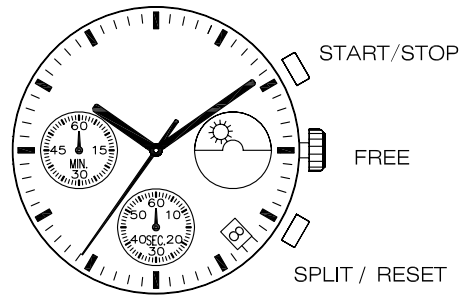
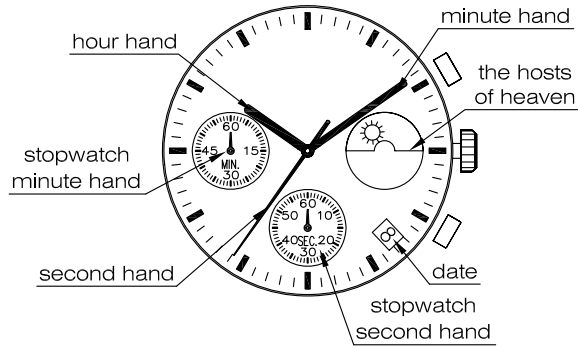
8. The diameter of the dial leg $\varnothing 0.75 \times L 1.5(\text{mm})$

9. Surface center bore $\geq \varnothing 1.80(\text{mm})$

Small needle diameter $\varnothing 0.195^{+0.006}_{-0.004}$

Movement Specification-2

PE905

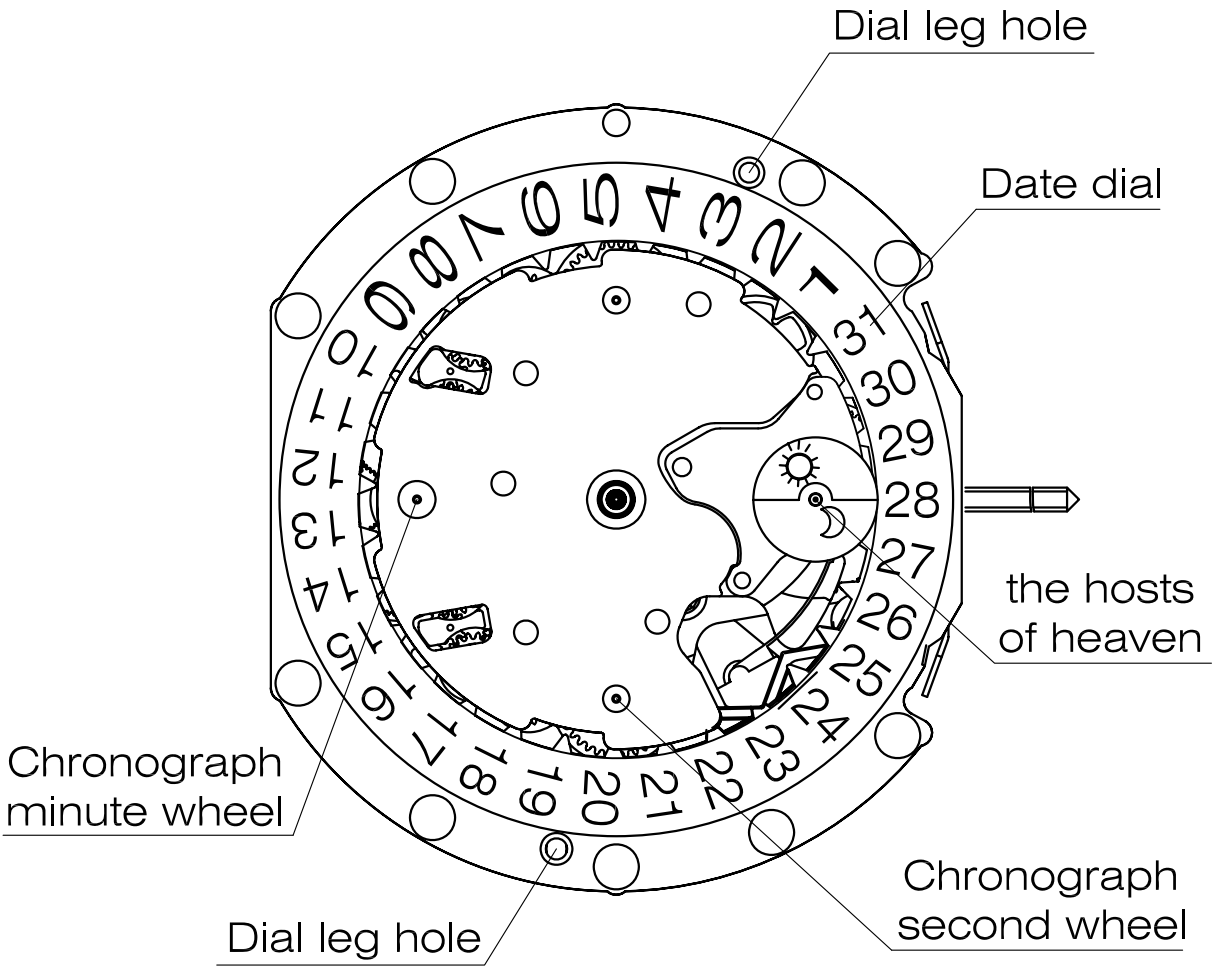


ADJUSTING THE STOPWATCH HAND POSITION

- 1) Pull the crown out of second click
- 2) Press button B to reset Chrono second hands to "0" position.
- 3) Push the crown back to the normal position

Version: 2

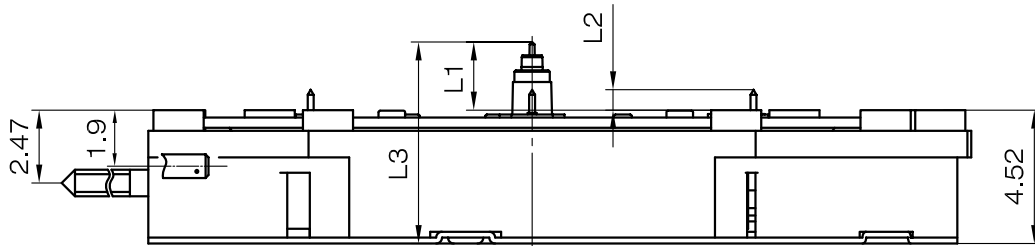
Appearance	PE905
------------	-------



	Scale : 4:1 Unit : mm	Version: 2
--	--------------------------	------------

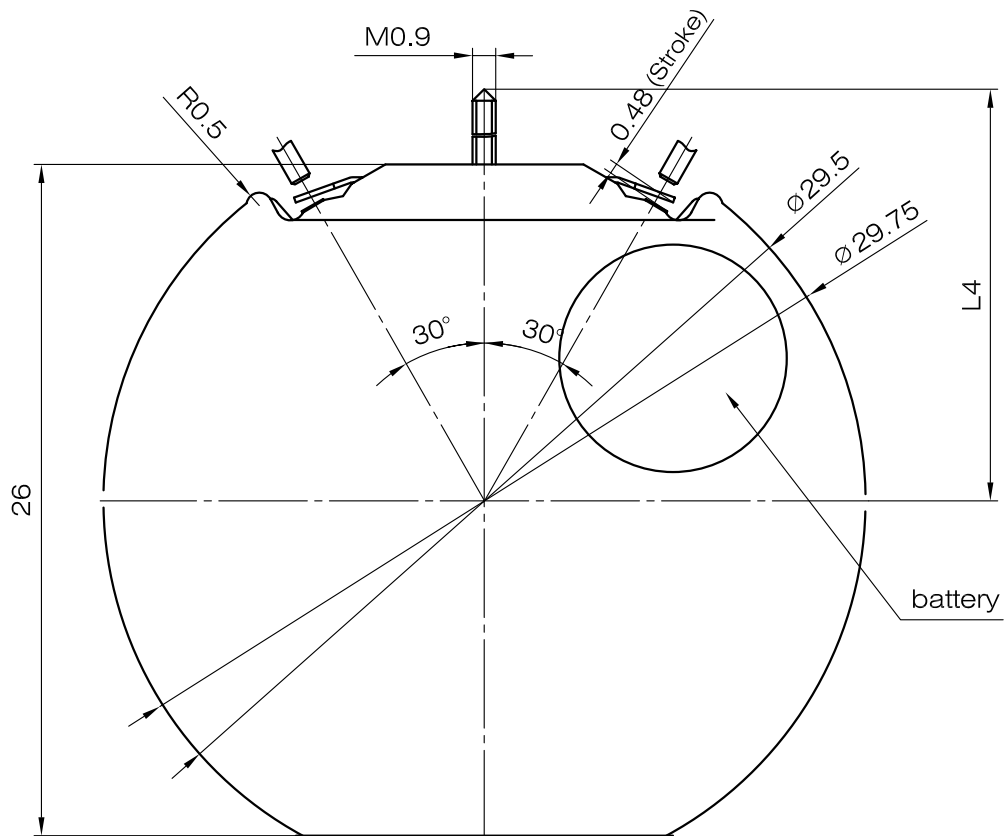
Casing

PE905



Center post		Height
Maximum height from main plate surface	L1	2.31
	L2	0.69
Total height incl. movement	L3	6.83

Hand Setting Stem	A
L4	28.12

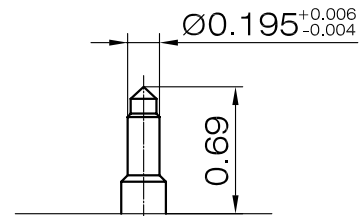
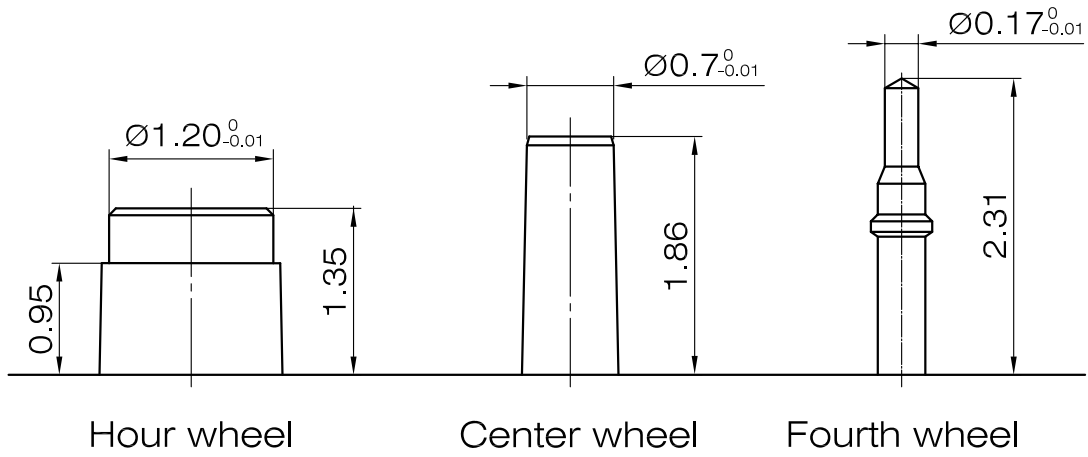


Scale : 4:1
Unit : mm

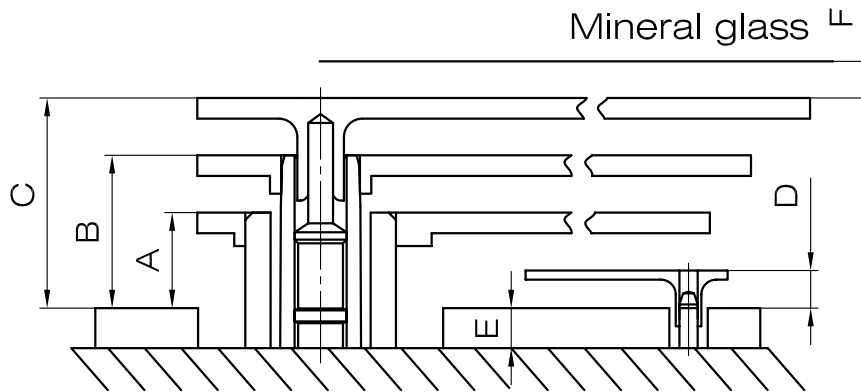
Version: 2

Hand fitting

PE905



Chronograph minute wheel
Chronograph second wheel
Small hour hand wheel



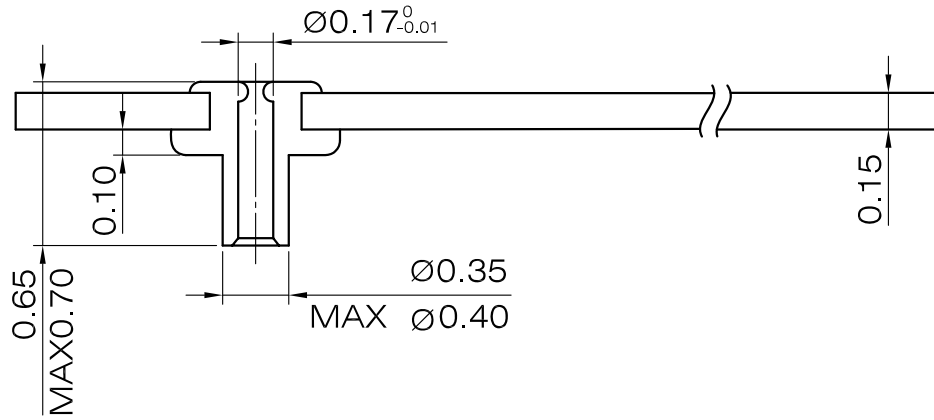
	A	B	C	D	E	F
height	0.95	1.46	2.11	0.45	0.4	0.4

Scale : 20:1
Unit : mm

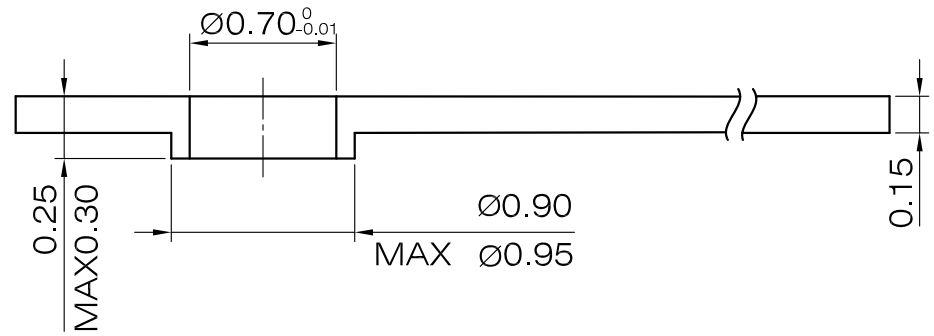
Version: 2

Hands	PE905
-------	-------

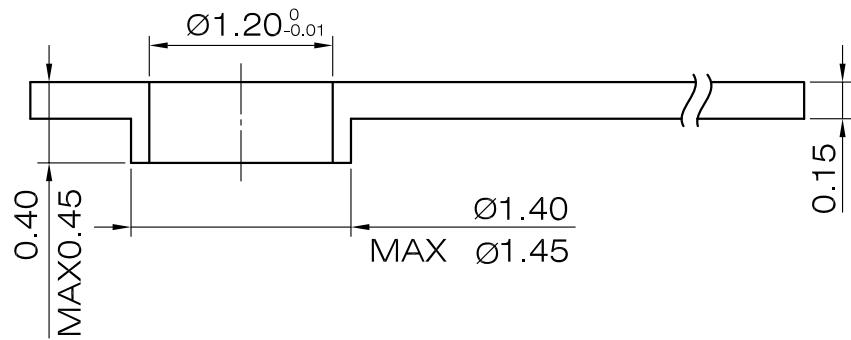
SECOND



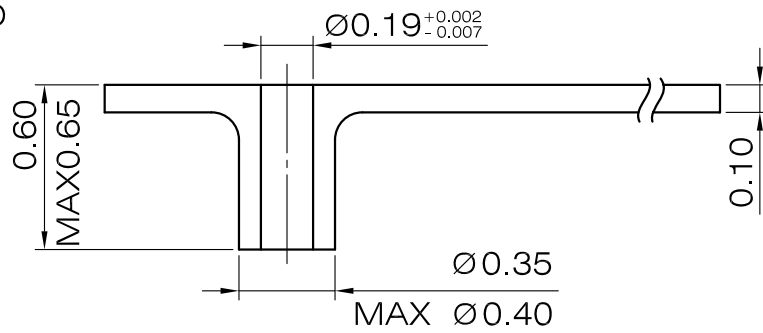
MINUTE



HOUR



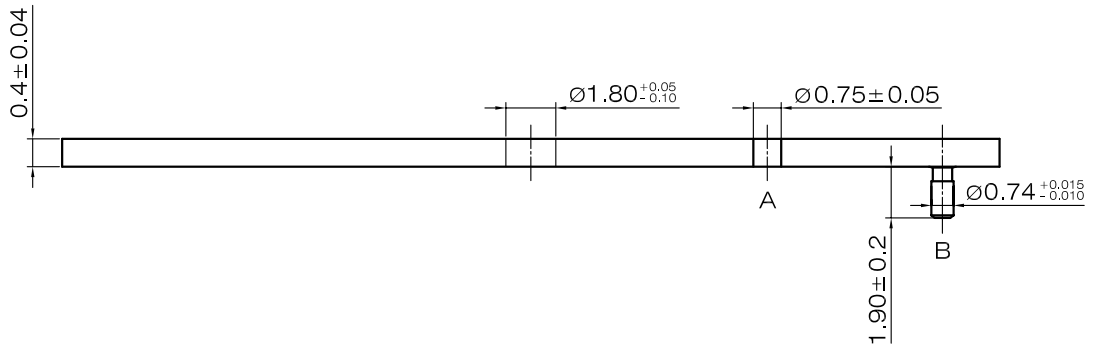
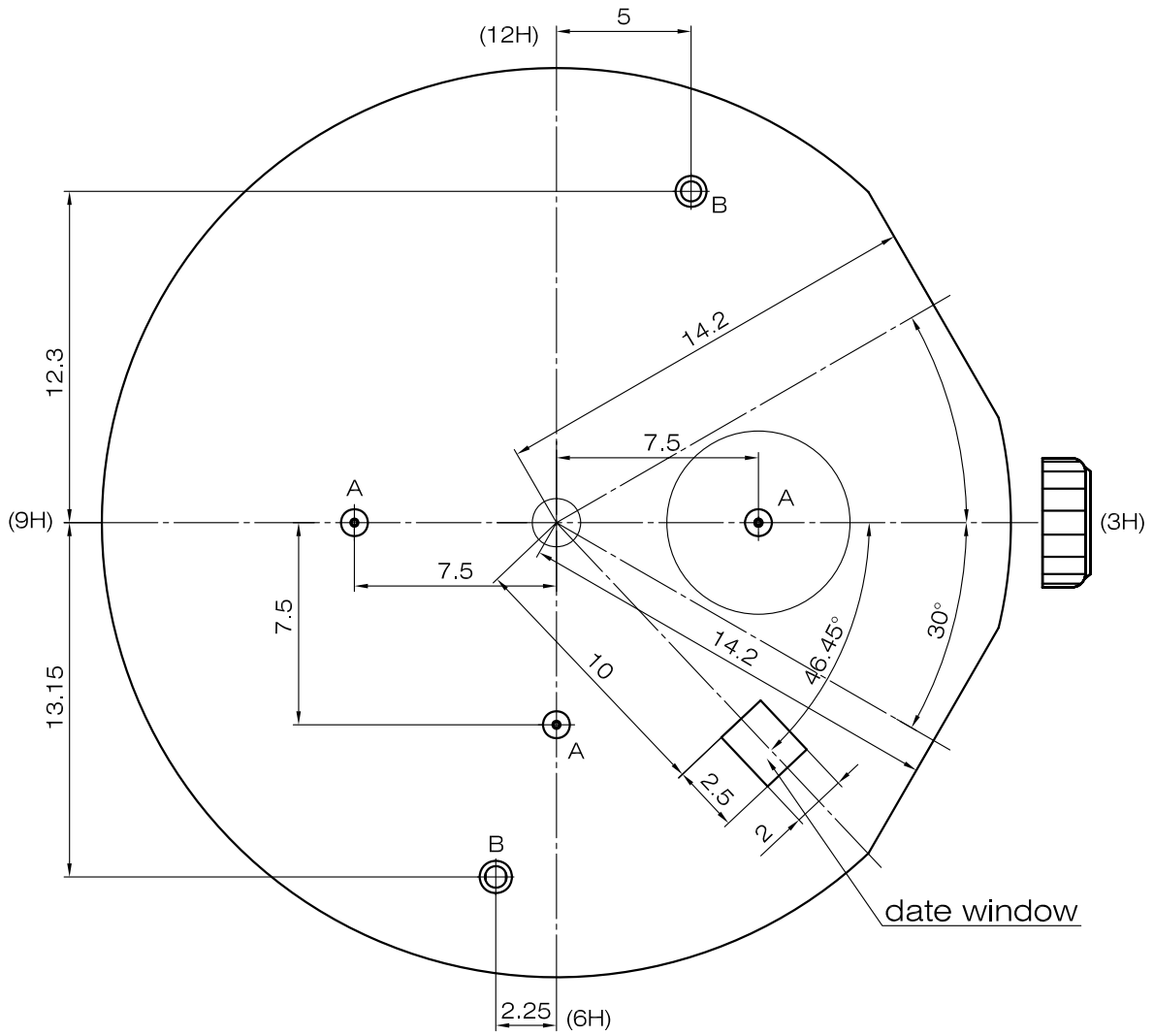
CHRONO



	Scale : 20:1 Unit : mm	Version: 2
--	---------------------------	------------

Dial-1

PE905



Scale : 5:1
Unit : mm

Version: 2

