

Cal.SL28DD

Ø 23.70 mm

H 4.15 mm

Item	Version No
Specification	Version 1
Appearance	Version 1
Casing	Version 1
Hand Fitting	Version 1
Hands	Version 1
Dial - 1	Version 1

Movement Specification

SL28DD 10_{1/2}^{'''} Quartz Movement 3 Hands (Day/Date)

1.MOVEMENT DIMENSIONS

- Outside diameter \varnothing 23.70mm
- Total height 4.15mm

2.TIME STANDARD

- Frequency of quartz oscillator 32768Hz
- Accuracy Monthly rate: Less than \pm 45 seconds per month at normal temperature range

3.BATTERY

- Type Silver oxide battery
- Size \varnothing 6.8 X t 2.6(mm)
- Recommended battery SR626SW

4.OPERATING TEMPERATURE RANGE From -5°C~50°C

5. OPERATING VOLTAGE 1.25V~1.65V

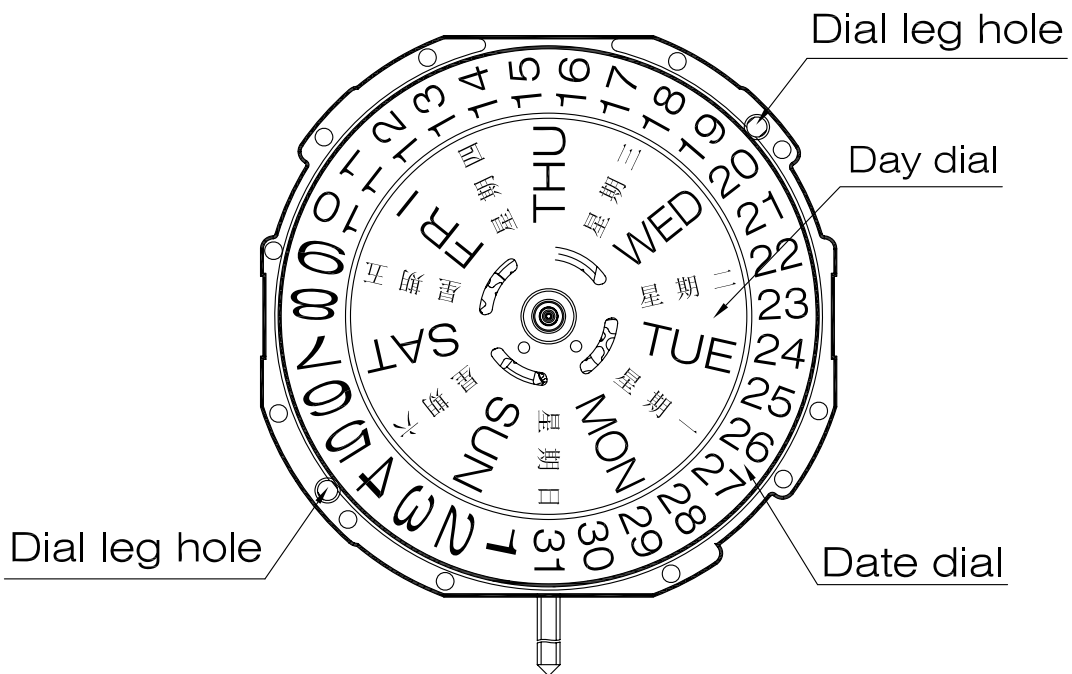
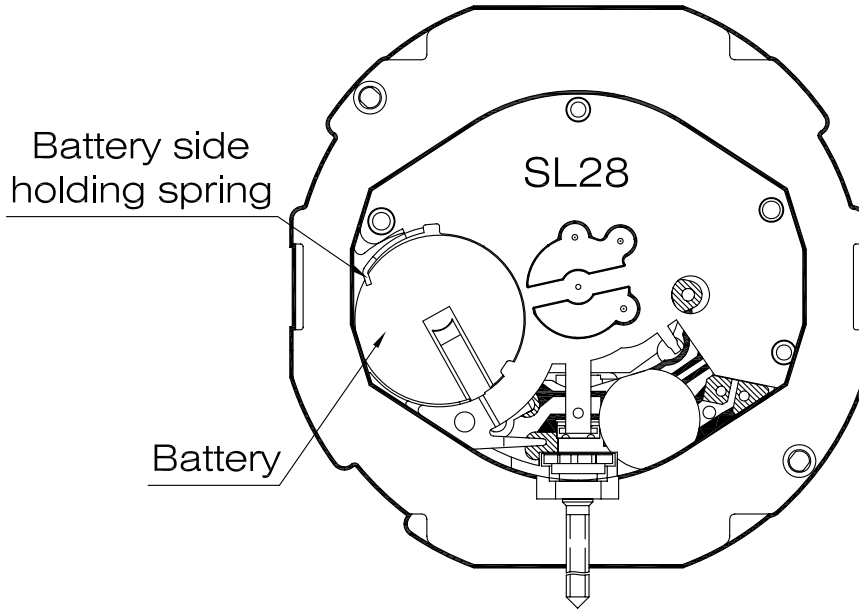
6.AVERAGE OPERATING CURRENT 2.2 μ A~2.5 μ A

7.OUTPUT TORQUE OF SECOND HAND \geq 5.5 μ Nm

8.The diameter of the dial leg \varnothing 0.70(mm)

Appearance

SL28DD

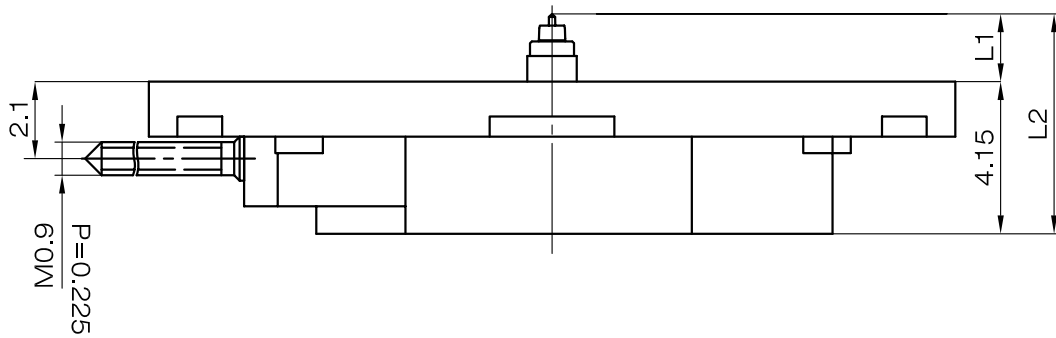


Scale : 4:1
Unit : mm

Version: 1

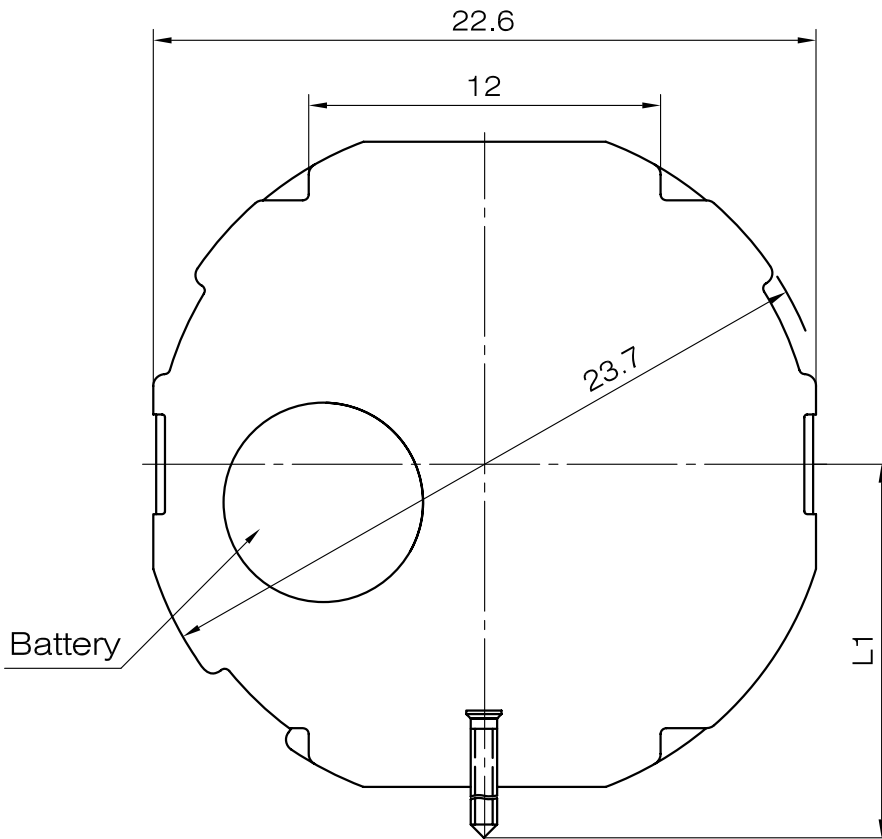
Casing

SL28DD



Center post		Height
Maximum height from main plate surface	L1	1.85
Total height incl. movement	L2	6

Hand Setting Stem	A
L1	22.5

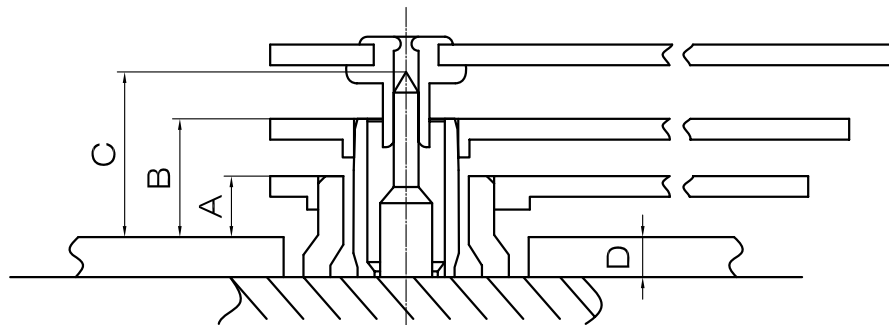
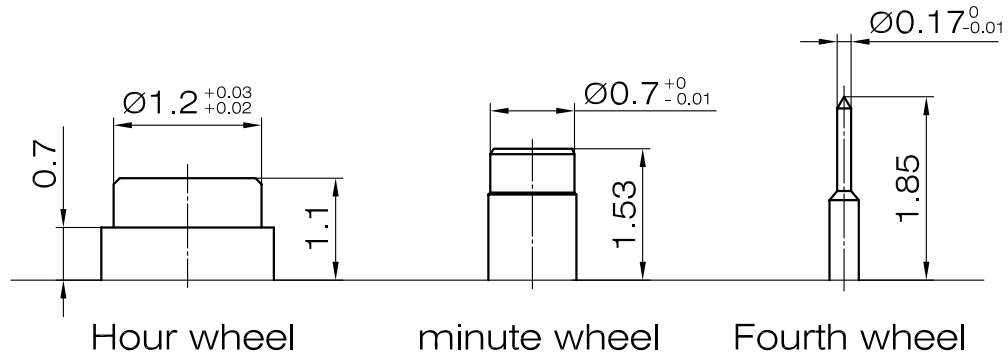


Scale : 5:1
Unit : mm

Version: 1

Hand fitting

SL28DD



	A	B	C	D
height	0.7	1.13	1.45	0.4

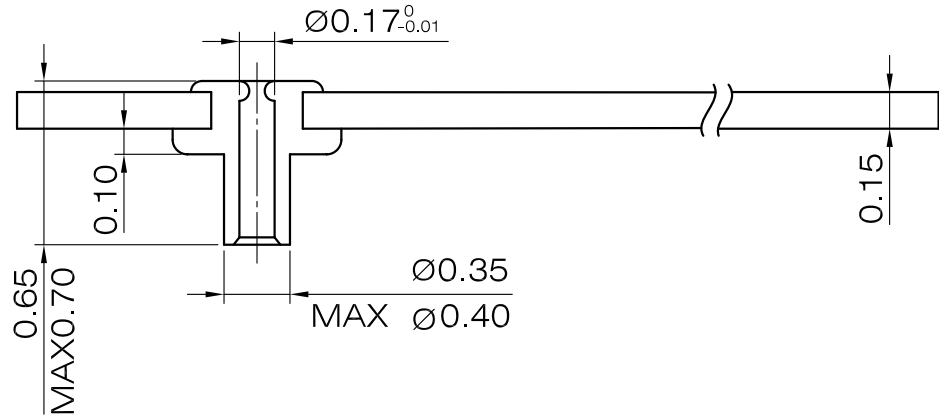
Scale : 20:1
Unit : mm

Version: 1

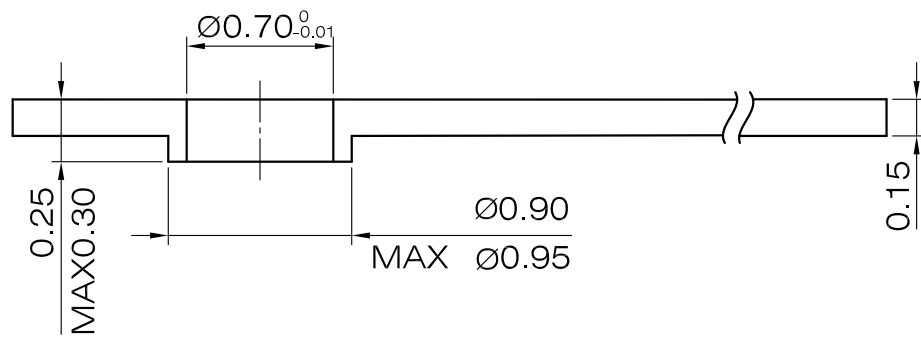
Hands

SL28DD

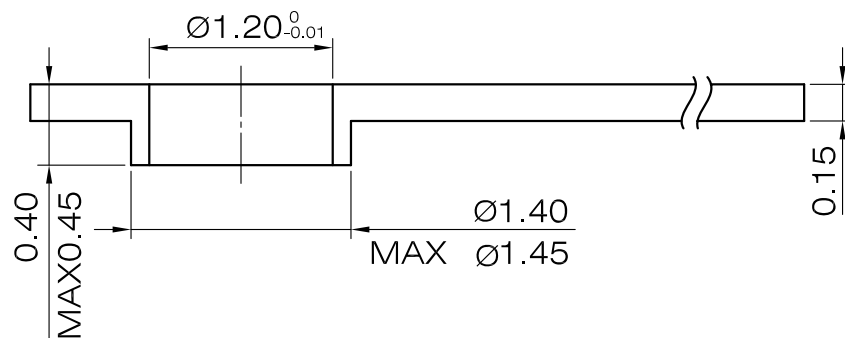
SECOND



MINUTE



HOUR



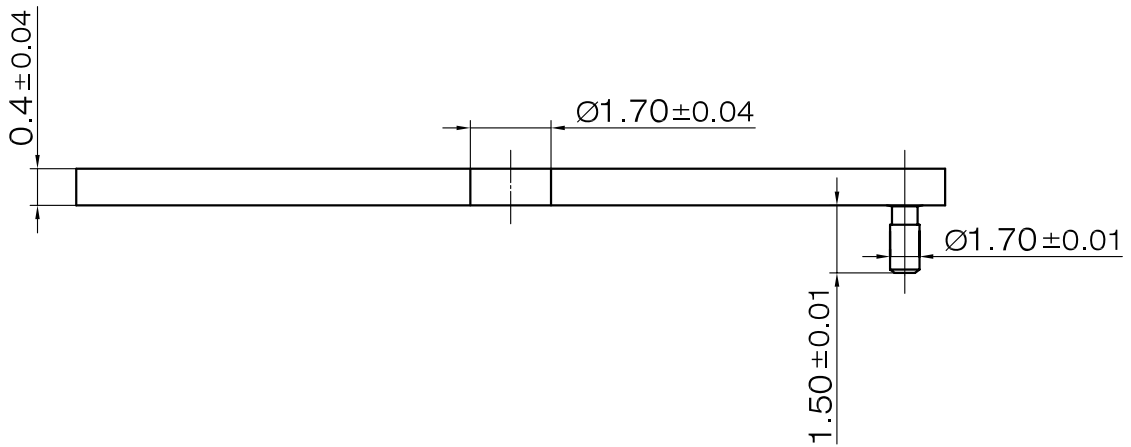
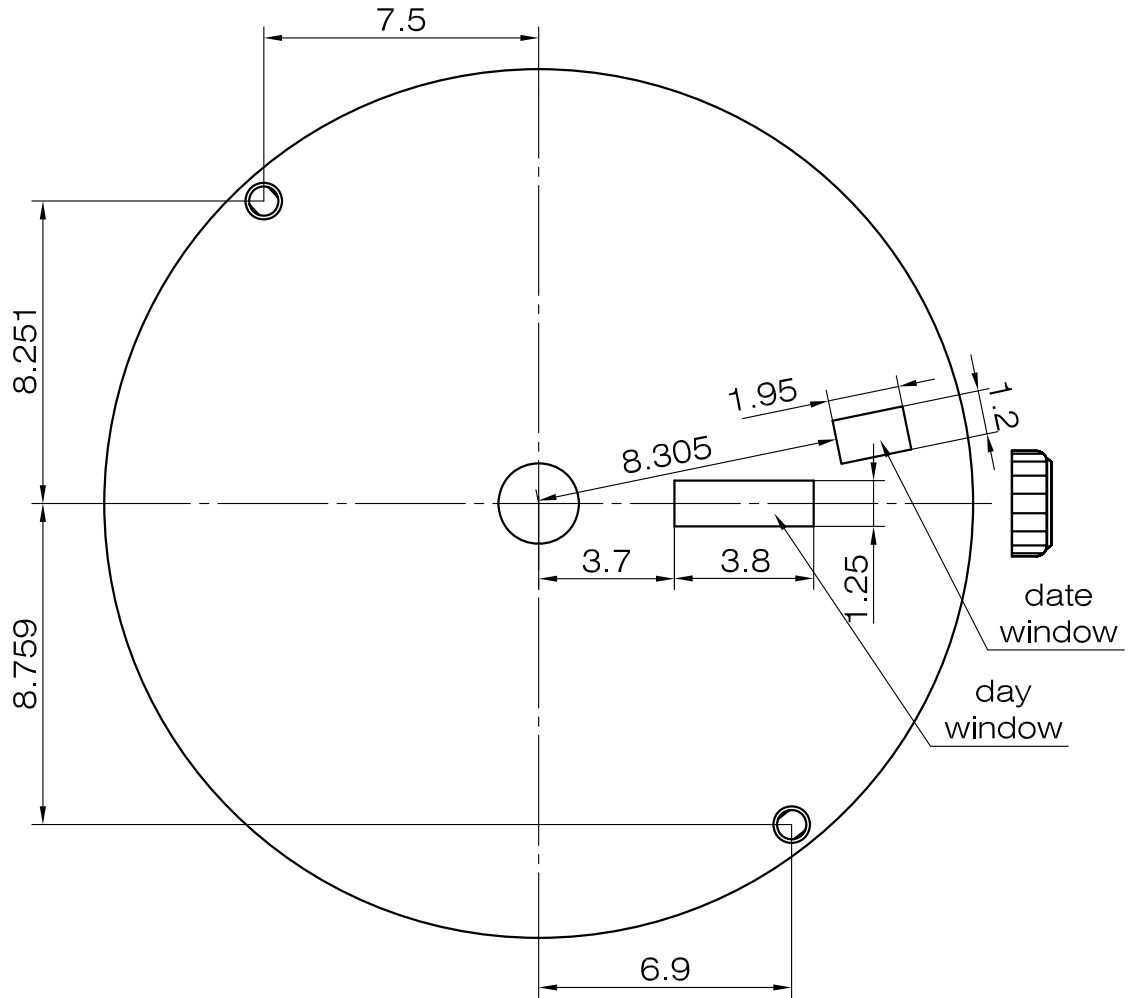
Scale : 20:1

Unit : mm

Version: 1

Dial-1

SL28DD



Scale : 7:1
Unit : mm

Version: 1