

# Cal. PE906

Ø 29.75 mm

H 4.52 mm

Item	Version No
Specification-1	Version 2
Specification-2	Version 2
Appearance	Version 2
Casing	Version 2
Hand Fitting	Version 2
Hands	Version 2
Dial - 1	Version 2
Dial - 2	Version 2



# Movement Specification-1

PE906 12<sup>3/4</sup> Quartz Movement

3Hands with 4 Eyes/Date

(1/10 Second \ Second Chronograph \ Minute & Calendar \ Sun&Moon)

## 1. MOVEMENT DIMENSIONS

- Outside diameter  $\varnothing 29.75\text{mm}$
- Total height 4.52mm

## 2. TIME STANDARD

- Frequency of quartz oscillator 32768Hz
- Accuracy Monthly rate: Less than  $\pm 30$  seconds per month at normal temperature range

## 3. BATTERY

- Type Silver oxide battery
- Size  $\varnothing 9.6 \times t 2.1(\text{mm})$
- Recommended battery SR921SW

4. OPERATING TEMPERATURE RANGE From  $-5^{\circ}\text{C} \sim 50^{\circ}\text{C}$

5. OPERATING VOLTAGE 1.25V~1.65V

6. AVERAGE OPERATING CURRENT 2.0 $\mu\text{A}$ ~2.4 $\mu\text{A}$   
(Don't open small seconds time)

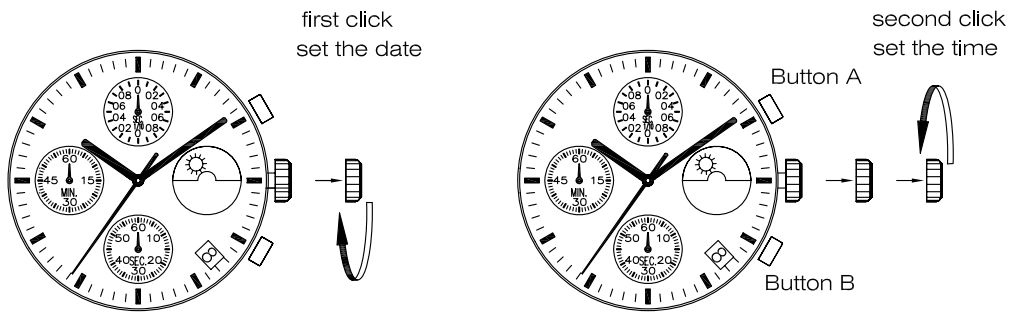
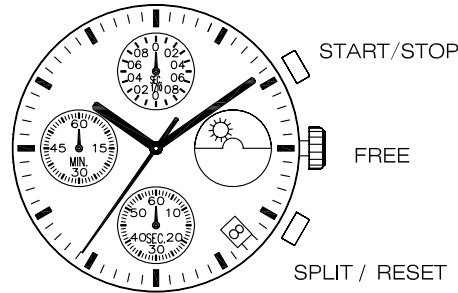
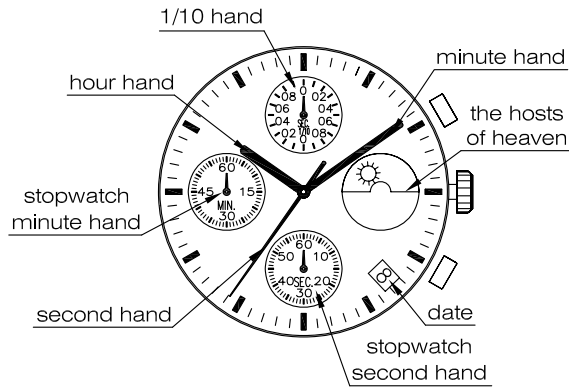
7. OUTPUT TORQUE OF SECOND HAND  $\geq 5.5\mu\text{Nm}$

8. The diameter of the dial leg  $\varnothing 0.75 \times L 1.5(\text{mm})$

9. Surface center bore  $\geq \varnothing 1.80(\text{mm})$   
Small needle diameter  $\varnothing 0.195^{+0.006}_{-0.004}$

# Movement Specification-2

PE906



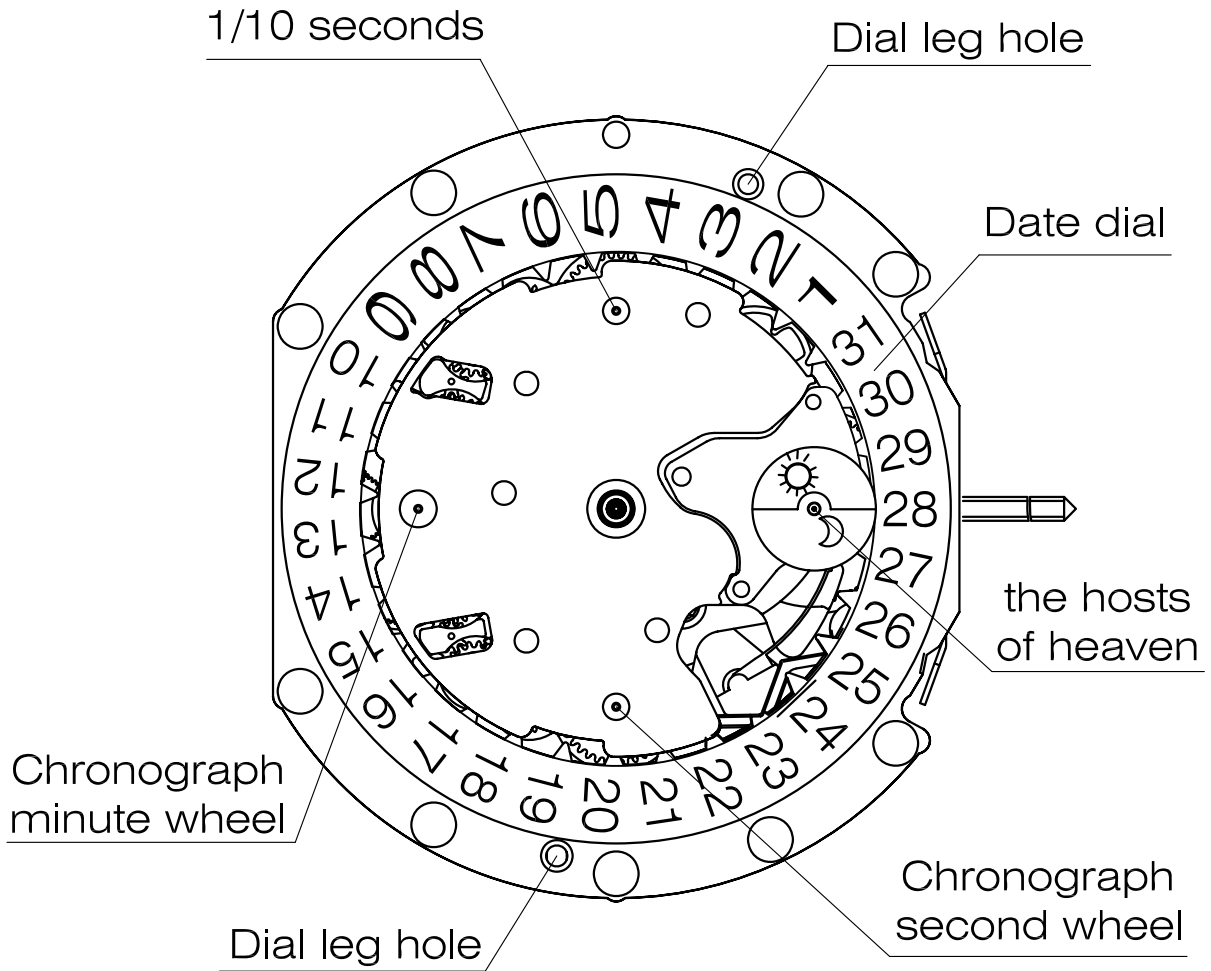
### ADJUSTING THE STOPWATCH HAND POSITION

- 1) Pull the crown out of second click
- 2) Press button A to reset 1/10 second hands to "0" position.  
Press button B to reset Chrono second hands to "0" position.
- 3) Push the crown back to the normal position

Version: 2

Appearance

PE906

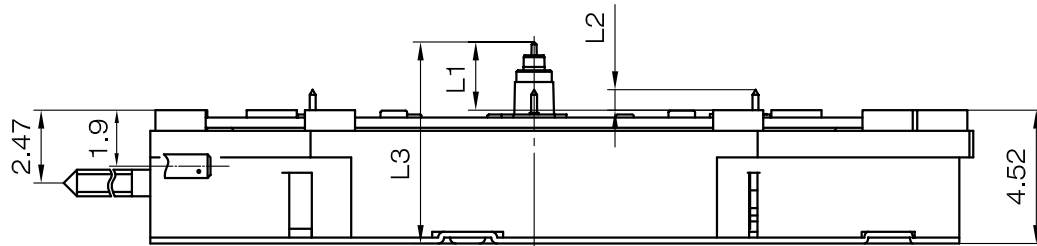


Scale : 4:1  
Unit : mm

Version: 2

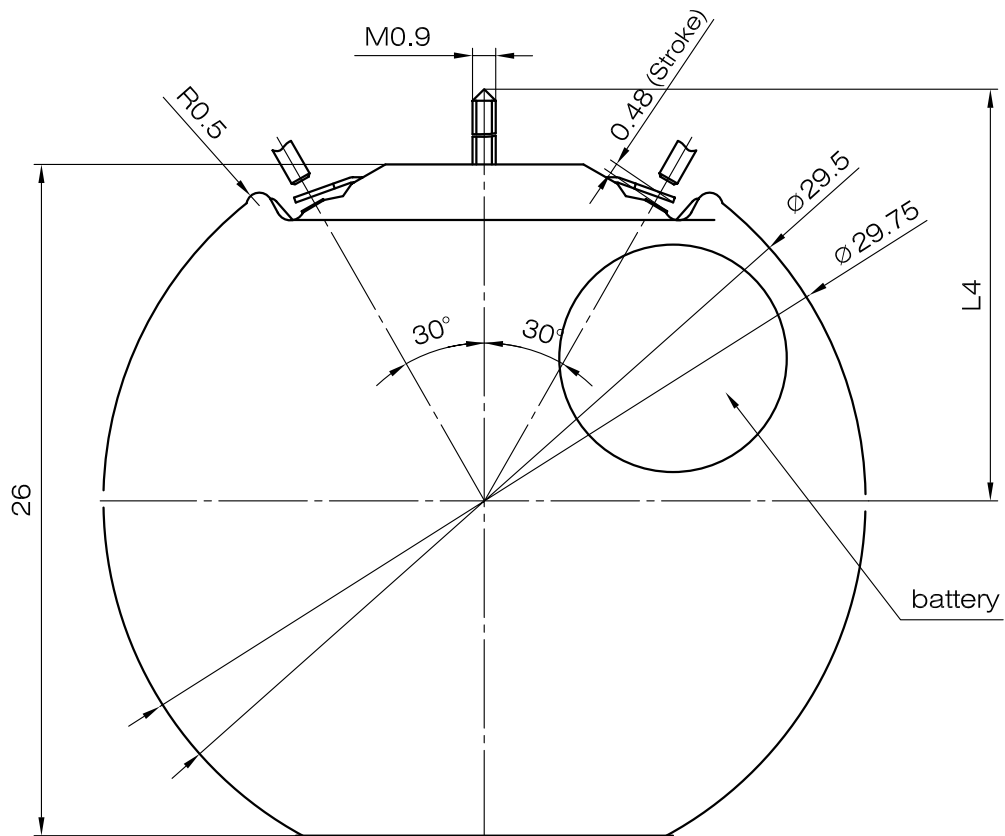
# Casing

PE906



Center post		Height
Maximum height from main plate surface	L1	2.31
	L2	0.69
Total height incl. movement	L3	6.83

Hand Setting Stem	A
L4	28.12

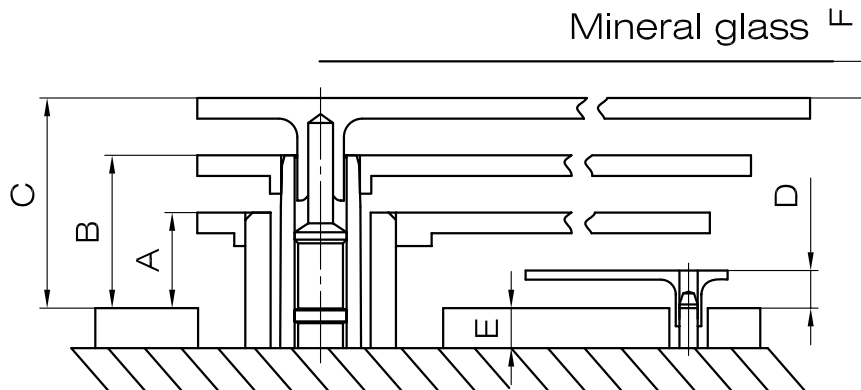
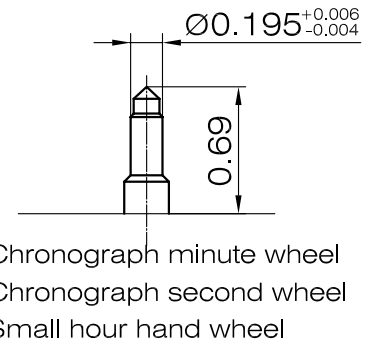
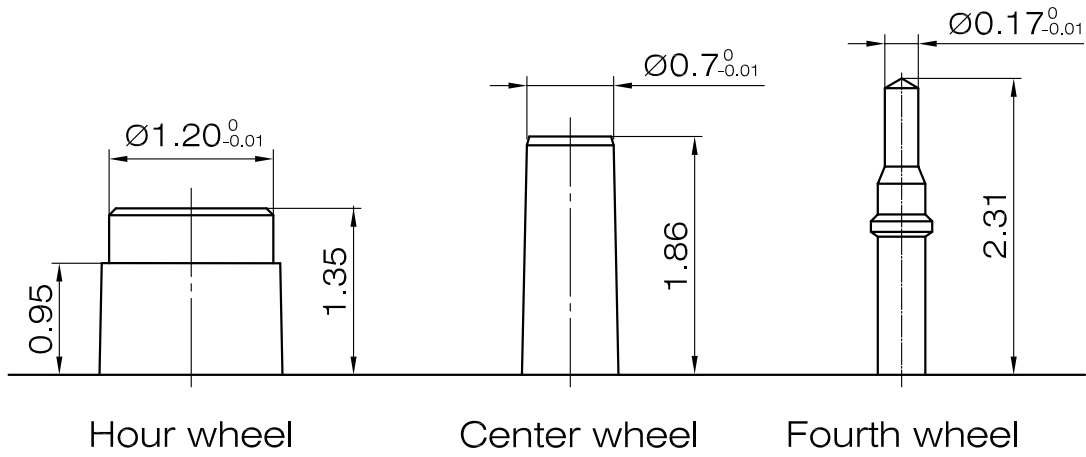


Scale : 4:1  
Unit : mm

Version: 2

Hand fitting

PE906



	A	B	C	D	E	F
height	0.95	1.46	2.11	0.45	0.4	0.4

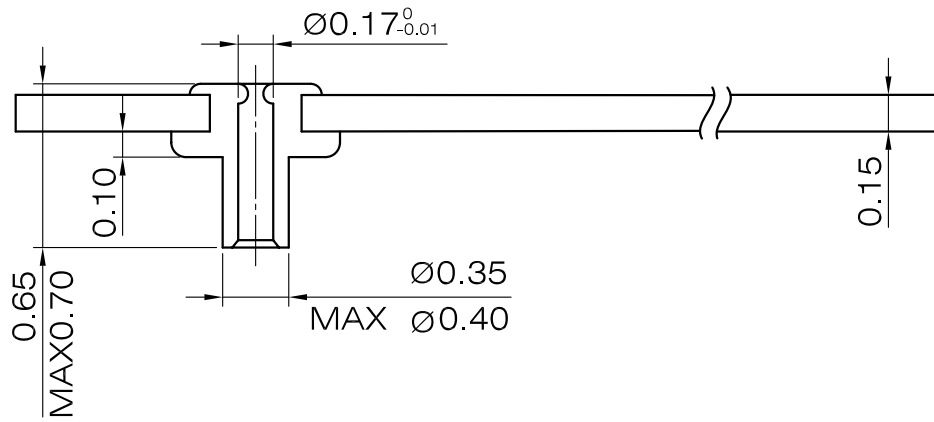
Scale : 20:1  
Unit : mm

Version: 2

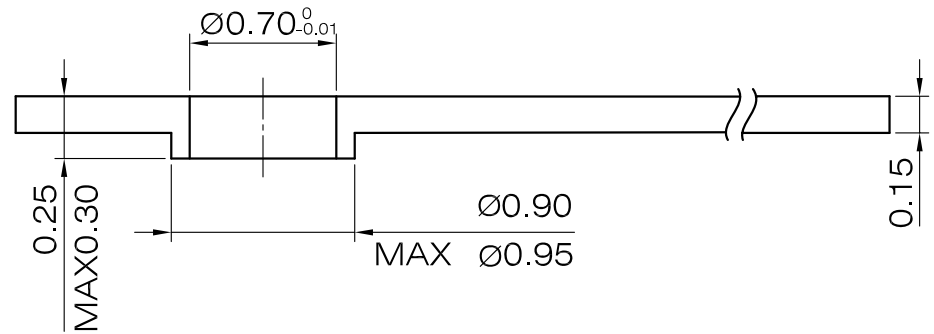
Hands

PE906

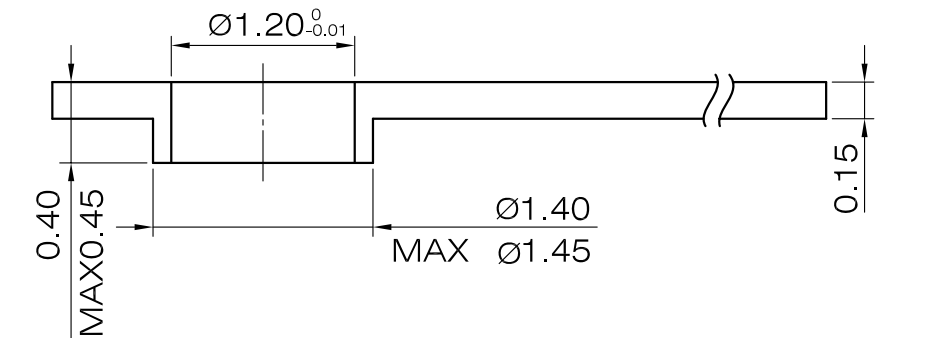
SECOND



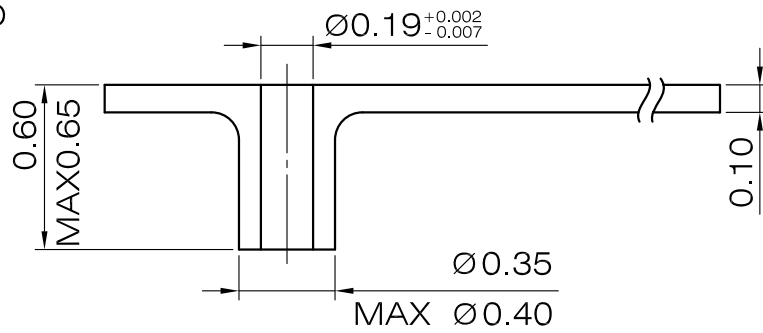
MINUTE



HOUR



CHRONO



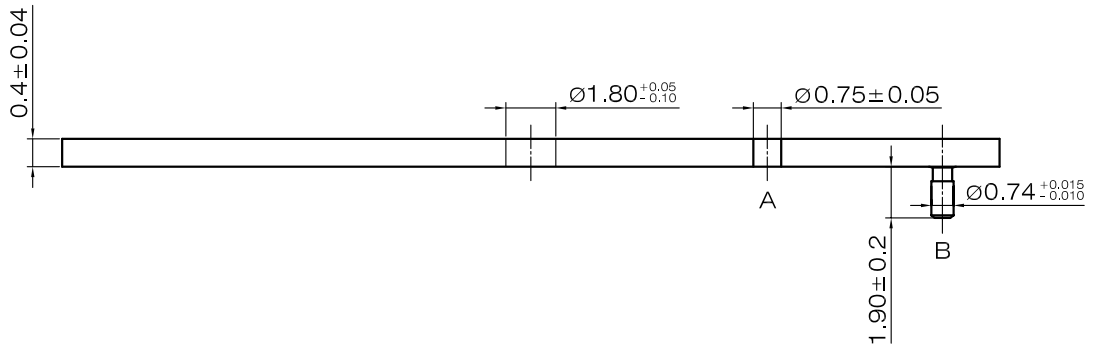
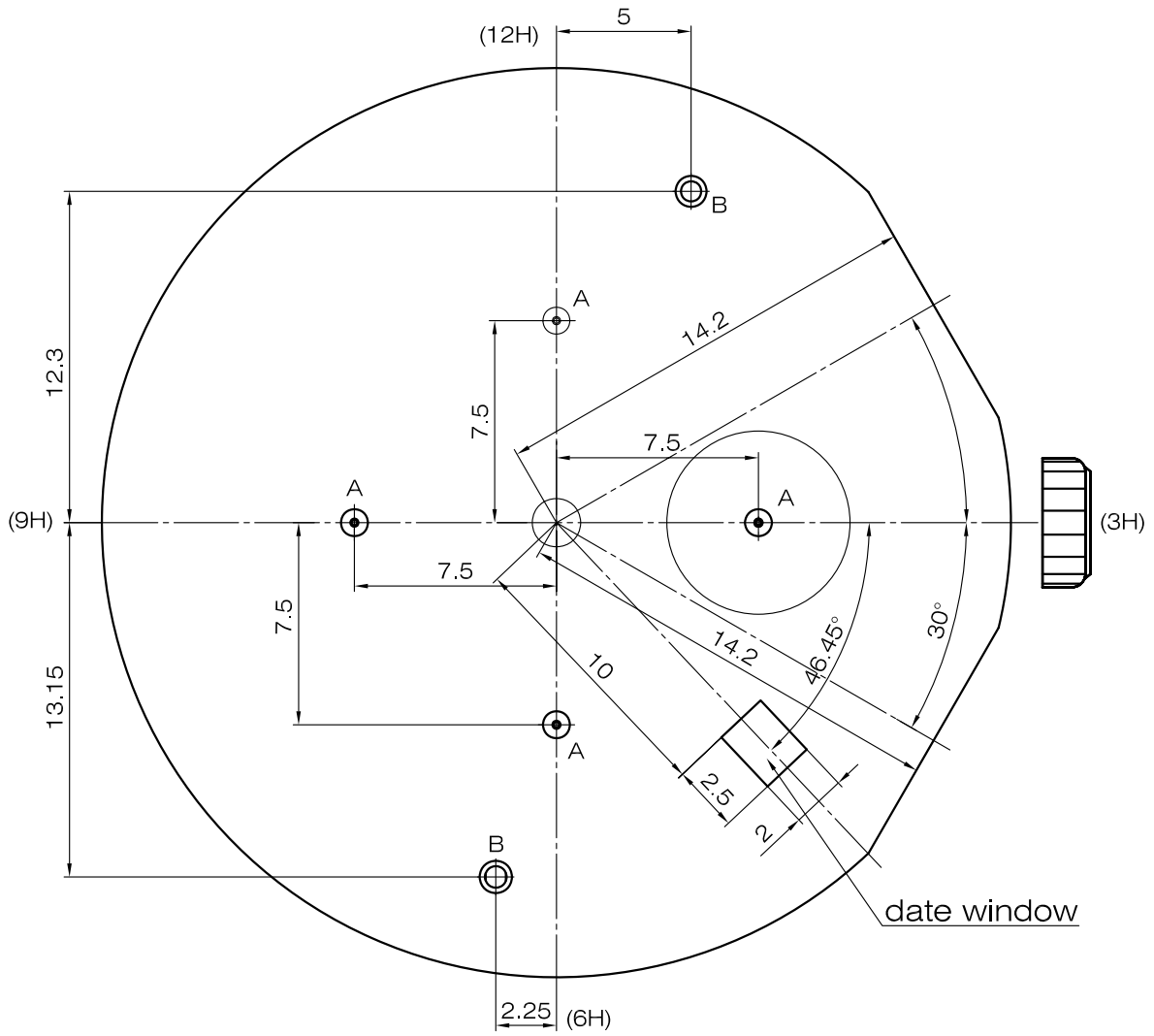
Scale : 20:1

Unit : mm

Version: 2

Dial-1

PE906



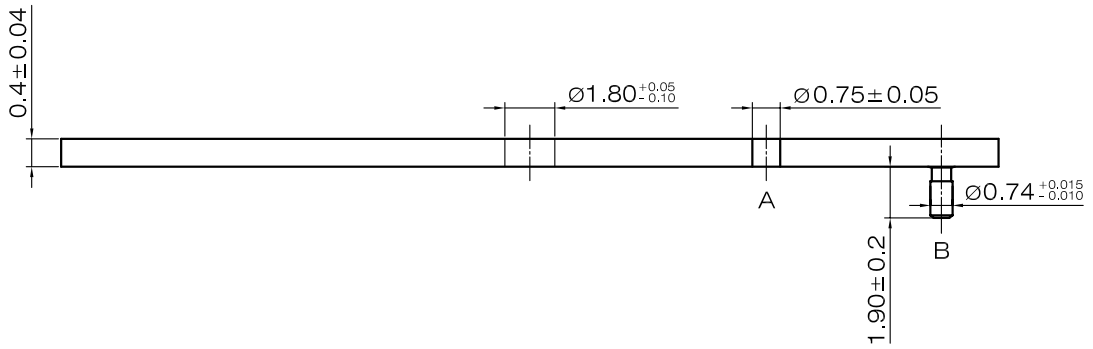
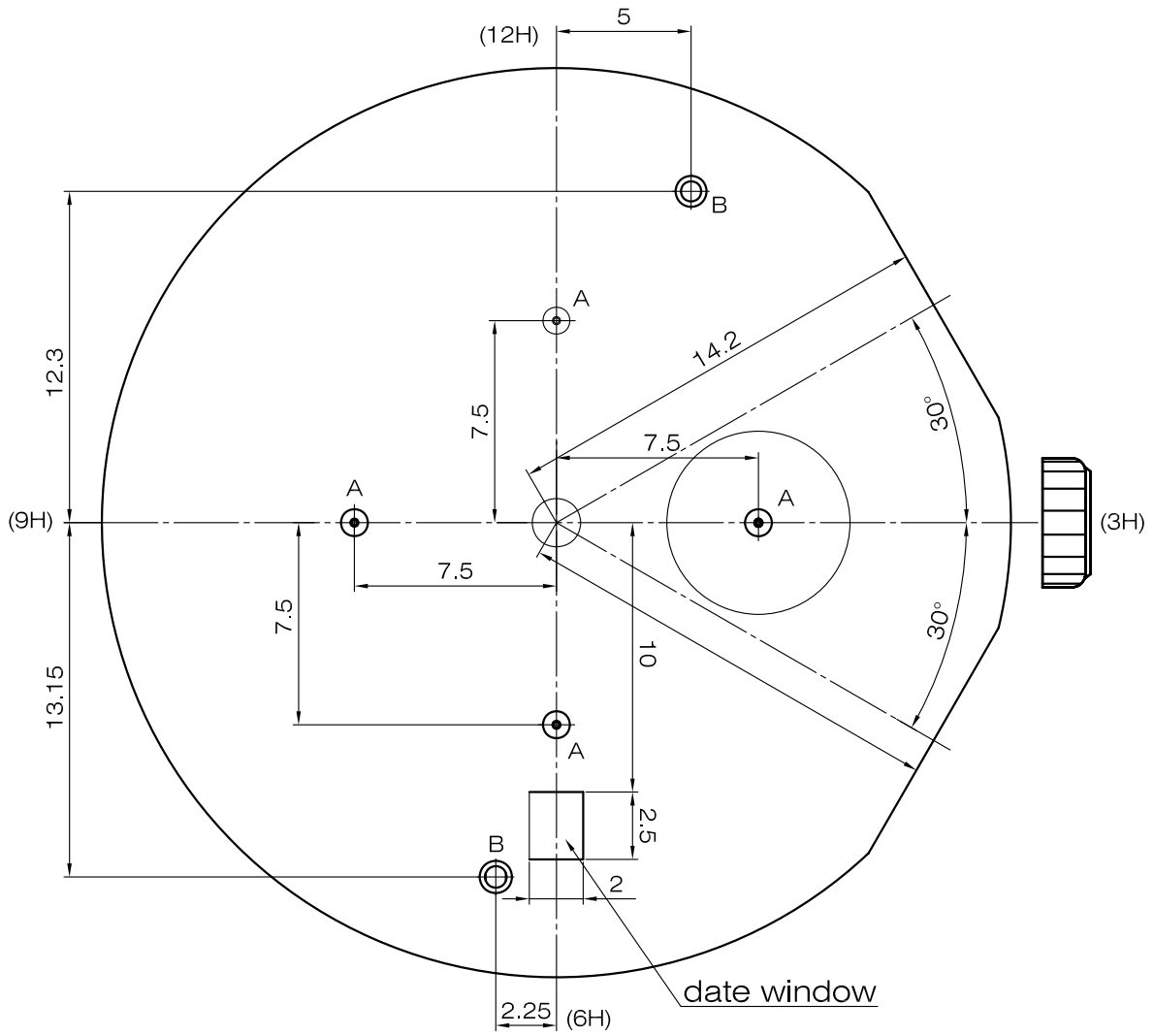
Scale : 5:1  
Unit : mm

Version: 2



Dial-2

PE906



Scale : 5:1  
Unit : mm

Version: 2